

Operational Amplifiers

SIGNATURE SERIES

Operational Amplifiers

LM358xxx LM324xxx LM2904xxx LM2902xxx

General Description

LM358xxx, LM324xxx, LM2904xxx, and LM2902xxx are monolithic IC's which integrate two or four independent op-amps on a single chip and feature high gain, low power consumption, and an operating voltage range of 3V to 36V (single power supply).

Features

- Operable with a single power supply
- Wide operating supply voltage range
- Input and output are operable GND sense
- Low supply current
- High open loop voltage gain
- Wide temperature range

Application

- Current sense application
- Buffer application
- Active filter
- Consumer electronics

Pin Configuration

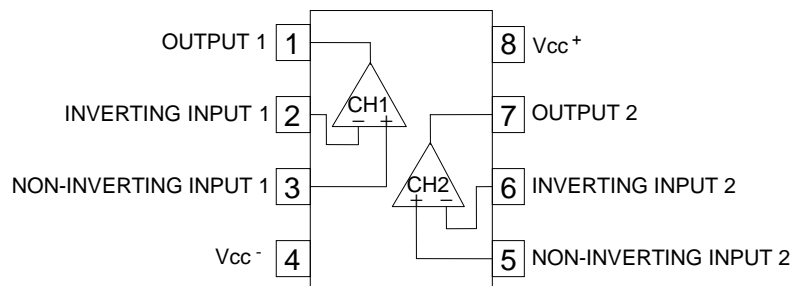
SO Package8 : LM358DT
(SOP-J8) : LM358WDT
: LM2904DT
: LM2904WDT
TSSOP8 : LM358PT
(TSSOP-B8) : LM358WPT
: LM2904PT
: LM2904WPT
Mini SO8 : LM358ST
(TSSOP-B8J) : LM2904ST

Key Specifications

- Operating Supply Voltage
 - Single Supply +3V to +36V
 - Dual Supply ±1.5V to ±18V
- Supply Current
 - LM358xxx/LM324xxx 0.7mA(Typ)
 - LM2904xxx/LM2902xxx 0.7mA(Typ)
- Input Bias Current 20nA(Typ)
- Input Offset Current 2nA(Typ)
- Operating Temperature Range
 - LM358xxx/LM324xxx -40°C to +85°C
 - LM2904xxx/LM2902xxx -40°C to +125°C

Packages

Packages	W(Typ) x D(Typ) x H(Max)
SO Package8	4.90mm x 6.0mm x 1.55mm
SO Package14	8.65mm x 6.0mm x 1.55mm
TSSOP8	3.00mm x 6.4mm x 1.10mm
TSSOP14	5.00mm x 6.4mm x 1.10mm
Mini SO8	3.00mm x 4.9mm x 0.95mm

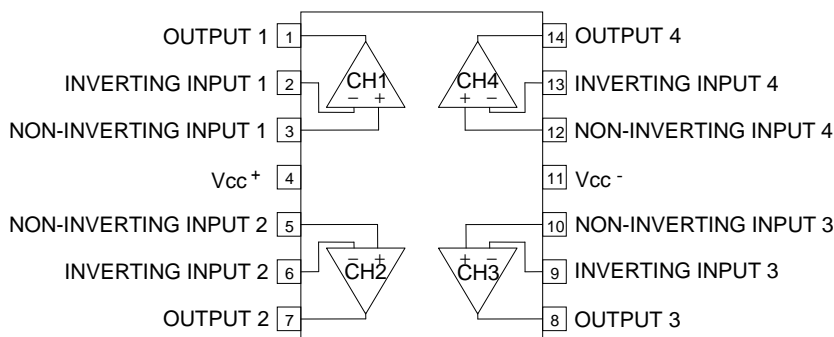


○Product structure : Silicon monolithic integrated circuit ○This product has no designed protection against radioactive rays.

Pin Description

Pin No.	Pin Name	Function
1	OUTPUT 1	CH1 OUTPUT
2	INVERTING INPUT 1	CH1 INVERTING INPUT
3	NON-INVERTING INPUT 1	CH1 NON-INVERTING INPUT
4	V _{cc} ⁻	Negative power supply
5	NON-INVERTING INPUT 2	CH2 NON-INVERTING INPUT
6	INVERTING INPUT 2	CH2 INVERTING INPUT
7	OUTPUT 2	CH2 OUTPUT
8	V _{cc} ⁺	Positive power supply

SO Package14 : LM324DT
 (SOP-J14) : LM324WDT
 : LM2902DT
 : LM2902WDT
 TSSOP14 : LM324PT
 (TSSOP-B14J) : LM2902PT



Pin Description

Pin No.	Pin Name	Function
1	OUTPUT1	CH1 OUTPUT
2	INVERTING INPUT 1	CH1 INVERTING INPUT
3	NON-INVERTING INPUT 1	CH1 NON-INVERTING INPUT
4	V _{cc} ⁺	Positive power supply
5	NON-INVERTING INPUT 2	CH2 NON-INVERTING INPUT
6	INVERTING INPUT 2	CH2 INVERTING INPUT
7	OUTPUT 2	CH2 OUTPUT
8	OUTPUT3	CH3 OUTPUT
9	INVERTING INPUT 3	CH3 INVERTING INPUT
10	NON-INVERTING INPUT 3	CH3 NON-INVERTING INPUT
11	V _{cc} ⁻	Negative power supply
12	NON-INVERTING INPUT 4	CH4 NON-INVERTING INPUT
13	INVERTING INPUT 4	CH4 INVERTING INPUT
14	OUTPUT 4	CH4 OUTPUT

Circuit Diagram

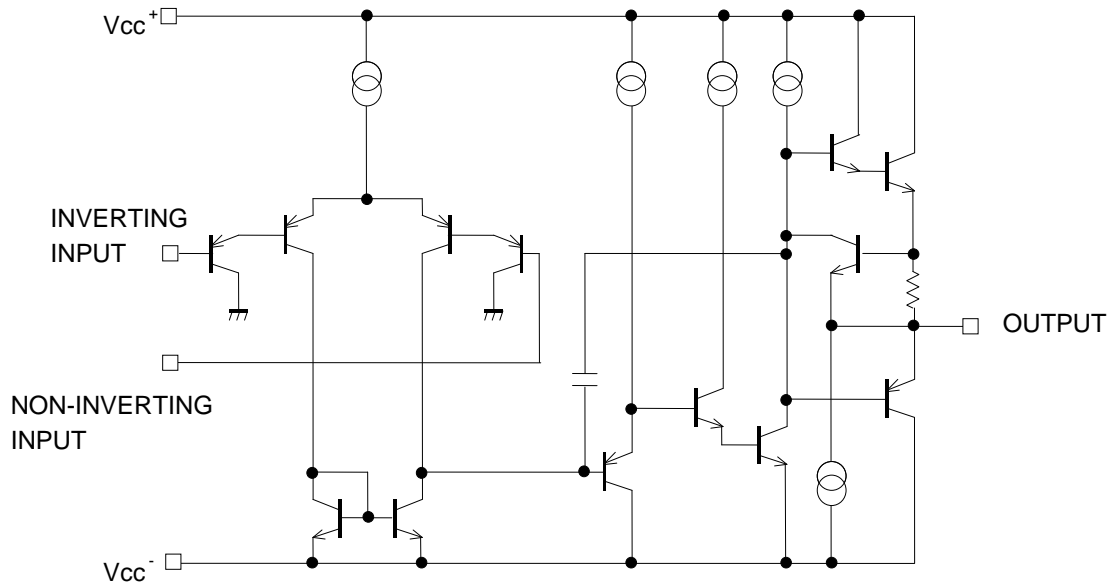


Figure 1 Circuit Diagram (each Op-Amp)

Absolute Maximum Ratings ($T_a=25^\circ\text{C}$)

Parameter	Symbol	Rating				Unit	
		LM358xxx	LM324xxx	LM2904xxx	LM2902xxx		
Supply Voltage	$V_{CC}^+ - V_{CC}^-$	+36				V	
Power Dissipation	Pd	SO Package8	0.67 ^(Note 1,6)	-	0.67 ^(Note 1,6)	-	W
		TSSOP8	0.62 ^(Note 2,6)	-	0.62 ^(Note 2,6)	-	
		Mini SO8	0.58 ^(Note 3,6)	-	0.58 ^(Note 3,6)	-	
		SO Package14	-	1.02 ^(Note 4,6)	-	1.02 ^(Note 4,6)	
		Mini SO8	-	0.84 ^(Note 5,6)	-	0.84 ^(Note 5,6)	
Differential Input Voltage ^(Note 7)	V_{ID}	36				V	
Input Common-mode Voltage Range	V_{ICM}	$(V_{CC}^- - 0.3)$ to $(V_{CC}^+ + 36)$				V	
Input Current ^(Note 8)	I_I	-10				mA	
Operating Supply Voltage	V_{OPR}	+3.0 to +36.0 (± 1.5 to ± 18.0)				V	
Operating Temperature Range	T_{OPR}	-40 to +85		-40 to +125		$^\circ\text{C}$	
Storage Temperature Range	T_{STG}	-55 to +150				$^\circ\text{C}$	
Maximum Junction Temperature	T_{JMAX}	+150				$^\circ\text{C}$	

Note: Absolute maximum rating item indicates the condition which must not be exceeded. Application if voltage in excess of absolute maximum rating or use out of absolute maximum rated temperature environment may cause deterioration of characteristics.

(Note 1) To use at temperature above $T_A=25^\circ\text{C}$ reduce 5.4mW.

(Note 2) To use at temperature above $T_A=25^\circ\text{C}$ reduce 5.0mW

(Note 3) To use at temperature above $T_A=25^\circ\text{C}$ reduce 4.7mW.

(Note 4) To use at temperature above $T_A=25^\circ\text{C}$ reduce 8.2mW.

(Note 5) To use at temperature above $T_A=25^\circ\text{C}$ reduce 6.8mW

(Note 6) Mounted on a FR4 glass epoxy PCB 70mmx70mmx1.6mm(Copper foil area less than 3%).

(Note 7) The voltage difference between inverting input and non-inverting input is the differential input voltage.

Then input terminal voltage is set to more than V_{CC}^- .

(Note 8) An excessive input current will flow when input voltages of less than $V_{CC}^- - 0.6\text{V}$ are applied.

The input current can be set to less than the rated current by adding a limiting resistor.

Caution: Operating the IC over the absolute maximum ratings may damage the IC. The damage can either be a short circuit between pins or an open circuit between pins and the internal circuitry. Therefore, it is important to consider circuit protection measures, such as adding a fuse, in case the IC is operated over the absolute maximum ratings.

Electrical Characteristics

OLM358xxx (Unless otherwise specified, $V_{CC}^+=+5V$, $V_{CC}^-=0V$)

Parameter	Symbol	Temperature Range	Limit			Unit	Conditions
			Min.	Typ.	Max.		
Input Offset Voltage ^(Note 9)	V_{IO}	25°C	—	2	7	mV	$V_O=1.4V, R_S=0\Omega$ $5V < V_{CC}^+ < 30V$ $0 < V_{IC} < V_{CC}^+ - 1.5V$
		Full Range	—	—	9		
Input Offset Current ^(Note 9)	I_{IO}	25°C	—	2	30	nA	$V_O=1.4V$
		Full Range	—	—	100		
Input Bias Current ^(Note 9)	I_B	25°C	—	20	150	nA	$V_O=1.4V$
		Full Range	—	—	200		
Large Signal Voltage Gain	A_V	25°C	25	100	—	V/mV	$V_{CC}^+=15V$ $V_O=1.4V$ to 11.4V $R_L=2k\Omega$
Supply Voltage Rejection Ratio	PSRR	25°C	65	100	—	dB	$R_S \leq 10k\Omega$ $V_{CC}^+=5V$ to 30V
		Full Range	65	—	—		
Supply Current	I_{CC}	Full Range	—	0.7	1.2	mA	$V_{CC}^+=5V, \text{No Load}$
			—	—	2		$V_{CC}^+=30V, \text{No Load}$
Input Common-mode Voltage Range	V_{ICM}	25°C	0	—	$V_{CC}^+ - 1.5$	V	$V_{CC}^+=30V$ $R_S \leq 10k\Omega$
		Full Range	0	—	$V_{CC}^+ - 2.0$		
Common-mode Rejection Ratio	CMRR	25°C	70	85	—	dB	$R_S \leq 10k\Omega$
		Full Range	60	—	—		
Output Source Current ^(Note 10)	I_{SOURCE}	25°C	20	40	60	mA	$V_{CC}^+=15V, V_O=+2V$ $V_{ID}=+1V$
Output Sink Current ^(Note 10)	I_{SINK}	25°C	10	20	—	mA	$V_O=+2V,$ $V_{CC}^+=15V, V_{ID}=-1V$
			12	50	—	μA	$V_O=+0.2V,$ $V_{CC}^+=15V, V_{ID}=-1V$
Output Voltage Swing	V_{OPP}	25°C	—	—	$V_{CC}^+ - 1.5$	V	$R_L=2k\Omega$
		Full Range	—	—	$V_{CC}^+ - 2.0$		
High Level Output Voltage	V_{OH}	25°C	27	28	—	V	$V_{CC}^+=30V, R_L=10k\Omega$
		Full Range	27	—	—		
Low Level Output Voltage	V_{OL}	25°C	—	5	20	mV	$R_L=10k\Omega$
		Full Range	—	—	20		
Slew Rate	SR	25°C	—	0.3	—	V/ μs	$R_L=2k\Omega, C_L=100pF,$ $V_{CC}^+=15V$ $V_I=0.5V$ to 3V, Unity Gain
Gain Bandwidth Product	GBP	25°C	—	0.6	—	MHz	$V_{CC}^+=30V, R_L=2k\Omega,$ $C_L=100pF$ $V_{IN}=10mV, f=100kHz$
Total Harmonic Distortion	THD	25°C	—	0.02	—	%	$f=1kHz, A_V=20dB$ $R_L=2k\Omega$ $C_L=100pF, V_O=2V_{pp}$
Input Equivalent Noise Voltage	V_N	25°C	—	40	—	nV/ \sqrt{Hz}	$f=1kHz, R_S=100\Omega$ $V_{CC}^+=30V$
Input Offset Voltage Drift ^(Note 9)	$\Delta V_{IO}/\Delta T$	—	—	7	—	$\mu V/^\circ C$	—
Input Offset Current Drift ^(Note 9)	$\Delta I_{IO}/\Delta T$	—	—	10	—	pA/ $^\circ C$	—
Channel Separation	CS	25°C	—	120	—	dB	$1kHz \leq f \leq 20kHz$

(Note 9) Absolute value

(Note 10) Under high temperatures, please consider the power dissipation when selecting the output current.

When output terminal is continuously shorted the output current reduces the internal temperature by flushing.

Electrical Characteristics - continued

OLM324xxx (Unless otherwise specified, $V_{CC}^+=+5V$, $V_{CC}^-=0V$)

Parameter	Symbol	Temperature Range	Limit			Unit	Conditions
			Min.	Typ.	Max.		
Input Offset Voltage (Note 11)	V_{IO}	25°C	—	—	7	mV	$V_O=1.4V, R_S=0\Omega$ $5V < V_{CC}^+ < 30V$ $0 < V_{IC} < V_{CC}^+ - 1.5V$
		Full Range	—	—	9		
Input Offset Current (Note 11)	I_{IO}	25°C	—	2	30	nA	$V_O=1.4V$
		Full Range	—	—	100		
Input Bias Current (Note 11)	I_B	25°C	—	20	150	nA	$V_O=1.4V$
		Full Range	—	—	300		
Large Signal Voltage Gain	A_V	25°C	25	100	—	V/mV	$V_{CC}^+=15V$ $V_O=1.4V$ to $11.4V$ $R_L=2k\Omega$
Supply Voltage Rejection Ratio	PSRR	25°C	65	110	—	dB	$R_S \leq 10k\Omega$ $V_{CC}^+=5V$ to $30V$
		Full Range	65	—	—		
Supply Current	I_{CC}	25°C	—	0.7	1.2	mA	$V_{CC}^+=5V, \text{No Load}$
		25°C	—	1.5	3		$V_{CC}^+=30V, \text{No Load}$
		Full Range	—	0.8	1.2		$V_{CC}^+=5V, \text{No Load}$
		Full Range	—	1.5	3		$V_{CC}^+=30V, \text{No Load}$
Input Common-mode Voltage Range	V_{ICM}	25°C	0	—	$V_{CC}^+ - 1.5$	V	$V_{CC}^+=30V$
		Full Range	0	—	$V_{CC}^+ - 2.0$		
Common-mode Rejection Ratio	CMRR	25°C	70	80	—	dB	$R_S \leq 10k\Omega$
		Full Range	60	—	—		
Output Source Current (Note 12)	I_{SOURCE}	25°C	20	40	70	mA	$V_{CC}^+=15V, V_O=+2V$ $V_{ID}=+1V$
Output Sink Current (Note 12)	I_{SINK}	25°C	10	20	—	mA	$V_O=+2V,$ $V_{CC}^+=15V, V_{ID}=-1V$
			12	50	—	μA	$V_O=+0.2V,$ $V_{CC}^+=15V, V_{ID}=-1V$
Output Voltage Swing	V_{OPP}	25°C	—	—	$V_{CC}^+ - 1.5$	V	$R_L=2k\Omega$
		Full Range	—	—	$V_{CC}^+ - 2.0$		
High Level Output Voltage	V_{OH}	25°C	27	28	—	V	$V_{CC}^+=30V, R_L=10k\Omega$
		Full Range	27	—	—		
Low Level Output Voltage	V_{OL}	25°C	—	5	20	mV	$R_L=10k\Omega$
		Full Range	—	—	20		
Slew Rate	SR	25°C	—	0.3	—	V/ μs	$R_L=2k\Omega, C_L=100pF,$ $V_{CC}^+=15V$ $V_I=0.5V$ to $3V,$ Unity Gain
Gain Bandwidth Product	GBP	25°C	—	0.6	—	MHz	$V_{CC}^+=30V, R_L=2k\Omega,$ $C_L=100pF$ $V_{IN}=10mV, f=100kHz$
Total Harmonic Distortion	THD	25°C	—	0.015	—	%	$f=1kHz, A_V=20dB$ $R_L=2k\Omega$ $C_L=100pF, V_O=2V_{pp}$
Input Equivalent Noise Voltage	V_N	25°C	—	40	—	nV/ \sqrt{Hz}	$f=1kHz, R_S=100\Omega$ $V_{CC}^+=30V$
Input Offset Voltage Drift (Note 11)	$\Delta V_{IO}/\Delta T$	—	—	7	—	$\mu V/^\circ C$	—
Input Offset Current Drift (Note 11)	$\Delta I_{IO}/\Delta T$	—	—	10	—	pA/ $^\circ C$	—
Channel Separation	CS	25°C	—	120	—	dB	$1kHz \leq f \leq 20kHz$

(Note 11) Absolute value

(Note 12) Under high temperatures, please consider the power dissipation when selecting the output current.

When output terminal is continuously shorted the output current reduces the internal temperature by flushing.

Electrical Characteristics - continued

OLM2904xxx (Unless otherwise specified, $V_{CC^+}=+5V$, $V_{CC^-}=0V$)

Parameter	Symbol	Temperature Range	Limit			Unit	Conditions
			Min.	Typ.	Max.		
Input Offset Voltage ^(Note 13)	V_{IO}	25°C	—	2	7	mV	$V_{O}=1.4V$
		Full Range	—	—	9		
Input Offset Current ^(Note 13)	I_{IO}	25°C	—	2	50	nA	$V_{O}=1.4V$
		Full Range	—	—	200		
Input Bias Current ^(Note 13)	I_B	25°C	—	20	150	nA	$V_{O}=1.4V$
		Full Range	—	—	200		
Large Signal Voltage Gain	A_V	25°C	25	100	—	V/mV	$V_{CC^+}=15V$ $V_{O}=1.4V$ to 11.4V $R_L=2k\Omega$
Supply Voltage Rejection Ratio	PSRR	25°C	65	100	—	dB	$R_S \leq 10k\Omega$ $V_{CC^+}=5V$ to 30V
		Full Range	65	—	—		
Supply Current	I_{CC}	25°C	—	0.7	1.2	mA	$V_{CC^+}=5V$, No Load
		Full Range	—	—	2		
Input Common-mode Voltage Range	V_{ICM}	25°C	0	—	$V_{CC^+}-1.5$	V	$V_{CC^+}=30V$
		Full Range	0	—	$V_{CC^+}-2.0$		
Common-mode Rejection Ratio	CMRR	25°C	70	85	—	dB	$R_S=10k\Omega$
		Full Range	60	—	—		
Output Source Current ^(Note 14)	I_{SOURCE}	25°C	20	40	60	mA	$V_{CC^+}=+15V$, $V_{O}=+2V$ $V_{ID}=+1V$
Output Sink Current ^(Note 14)	I_{SINK}	25°C	10	20	—	mA	$V_{O}=2V$, $V_{CC^+}=+5V$ $V_{ID}=-1V$
			12	50	—	μA	$V_{O}=+0.2V$, $V_{CC^+}=+15V$, $V_{ID}=-1V$
Output Voltage Swing	V_{OPP}	25°C	—	—	$V_{CC^+}-1.5$	V	$R_L=2k\Omega$
		Full Range	—	—	$V_{CC^+}-2.0$		
High Level Output Voltage	V_{OH}	25°C	27	—	—	V	$V_{CC^+}=30V$, $R_L=10k\Omega$
		Full Range	27	28	—		
Low Level Output Voltage	V_{OL}	25°C	—	5	20	mV	$R_L=10k\Omega$
		Full Range	—	—	20		
Slew Rate	SR	25°C	—	0.3	—	V/ μs	$R_L=2k\Omega$, $C_L=100pF$, Unity Gain $V_I=0.5V$ to 3V $V_{CC^+}=15V$
Gain Bandwidth Product	GBP	25°C	—	0.6	—	MHz	$V_{CC^+}=30V$, $R_L=2k\Omega$ $C_L=100pF$ $V_{IN}=10mV$
Total Harmonic Distortion	THD	25°C	—	0.02	—	%	$f=1kHz$, $A_V=20dB$ $R_L=2k\Omega$ $C_L=100pF$, $V_{CC^+}=30V$, $V_{O}=2V_{pp}$
Input Equivalent Noise Voltage	V_N	25°C	—	40	—	nV/ \sqrt{Hz}	$f=1kHz$, $R_S=100\Omega$ $V_{CC^+}=30V$
Input Offset Voltage Drift ^(Note 13)	$\Delta V_{IO}/\Delta T$	—	—	7	—	$\mu V/^\circ C$	-
Input Offset Current Drift ^(Note 13)	$\Delta I_{IO}/\Delta T$	—	—	10	—	pA/ $^\circ C$	-
Channel Separation	CS	25°C	—	120	—	dB	$1kHz \leq f \leq 20kHz$

(Note 13) Absolute value

(Note 14) Under high temperatures, please consider the power dissipation when selecting the output current.

When the output terminal is continuously shorted the output current reduces the internal temperature by flushing.

Electrical Characteristics - continued

OLM2902xxx (Unless otherwise specified, $V_{CC^+}=+5V$, $V_{CC^-}=0V$)

Parameter	Symbol	Temperature Range	Limit			Unit	Conditions
			Min.	Typ.	Max.		
Input Offset Voltage ^(Note 15)	V_{IO}	25°C	—	2	7	mV	$V_{O}=1.4V$
		Full Range	—	—	9		
Input Offset Current ^(Note 15)	I_{IO}	25°C	—	2	30	nA	$V_{O}=1.4V$
		Full Range	—	—	200		
Input Bias Current ^(Note 15)	I_B	25°C	—	20	150	nA	$V_{O}=1.4V$
		Full Range	—	—	300		
Large Signal Voltage Gain	A_v	25°C	25	100	—	V/mV	$V_{CC^+}=15V$ $V_{O}=1.4V$ to 11.4V $R_L=2k\Omega$
Supply Voltage Rejection Ratio	PSRR	25°C	65	110	—	dB	$R_S \leq 10k\Omega$ $V_{CC^+}=5V$ to 30V
		Full Range	65	—	—		
Supply Current	I_{CC}	25°C	—	0.7	1.2	mA	$V_{CC^+}=5V$, No Load
		25°C	—	1.5	3		$V_{CC^+}=30V$, No Load
		Full Range	—	0.8	1.2		$V_{CC^+}=5V$, No Load
		Full Range	—	1.5	3		$V_{CC^+}=30V$, No Load
Input Common-mode Voltage Range	V_{ICM}	25°C	0	—	$V_{CC^+}-1.5$	V	$V_{CC^+}=30V$
		Full Range	0	—	$V_{CC^+}-2.0$		
Common-mode Rejection Ratio	CMRR	25°C	70	80	—	dB	$R_S=10k\Omega$
		Full Range	60	—	—		
Output Source Current ^(Note 16)	I_{SOURCE}	25°C	20	40	70	mA	$V_{CC^+}=+15V$, $V_{O}=+2V$ $V_{ID}=+1V$
Output Sink Current ^(Note 16)	I_{SINK}	25°C	10	20	—	mA	$V_{O}=2V$, $V_{CC^+}=+5V$ $V_{ID}=-1V$
			12	50	—	μA	$V_{O}=+0.2V$, $V_{CC^+}=+15V$, $V_{ID}=-1V$
Output Voltage Swing	V_{OPP}	25°C	—	—	$V_{CC^+}-1.5$	V	$R_L=2k\Omega$
		Full Range	—	—	$V_{CC^+}-2.0$		
High Level Output Voltage	V_{OH}	25°C	27	28	—	V	$V_{CC^+}=30V$, $R_L=10k\Omega$
		Full Range	27	—	—		
Low Level Output Voltage	V_{OL}	25°C	—	5	20	mV	$R_L=10k\Omega$
		Full Range	—	—	20		
Slew Rate	SR	25°C	—	0.3	—	V/ μs	$R_L=2k\Omega$, $C_L=100pF$, Unity Gain $V_I=0.5V$ to 3V $V_{CC^+}=15V$
Gain Bandwidth Product	GBP	25°C	—	0.3	—	MHz	$V_{CC^+}=30V$, $R_L=2k\Omega$ $C_L=100pF$ $V_{IN}=10mV$
Total Harmonic Distortion	THD	25°C	—	0.015	—	%	$f=1kHz$, $A_V=20dB$ $R_L=2k\Omega$ $C_L=100pF$, $V_{CC^+}=30V$, $V_{O}=2V_{pp}$
Input Equivalent Noise Voltage	V_N	25°C	—	40	—	nV/ \sqrt{Hz}	$f=1kHz$, $R_S=100\Omega$ $V_{CC^+}=30V$
Input Offset Voltage Drift ^(Note 15)	$\Delta V_{IO}/\Delta T$	—	—	7	—	$\mu V/^\circ C$	—
Input Offset Current Drift ^(Note 15)	$\Delta I_{IO}/\Delta T$	—	—	10	—	pA/ $^\circ C$	—
Channel Separation	CS	25°C	—	120	—	dB	$1kHz \leq f \leq 20kHz$

(Note 15) Absolute value

(Note 16) Under high temperatures, please consider the power dissipation when selecting the output current.

When the output terminal is continuously shorted the output current reduces the internal temperature by flushing.

Description of Electrical Characteristics

Described below are descriptions of the relevant electrical terms used in this datasheet. Items and symbols used are also shown. Note that item name and symbol and their meaning may differ from those on another manufacturer's document or general document.

1. Absolute maximum ratings

Absolute maximum rating items indicate the condition which must not be exceeded. Application of voltage in excess of absolute maximum rating or use out of absolute maximum rated temperature environment may cause deterioration of characteristics.

- (1) Supply Voltage (V_{CC^+}/V_{CC^-})
Indicates the maximum voltage that can be applied between the positive power supply terminal and negative power supply terminal without deterioration or destruction of characteristics of internal circuit.
- (2) Differential Input Voltage (V_{ID})
Indicates the maximum voltage that can be applied between non-inverting and inverting terminals without damaging the IC.
- (3) Input Common-mode Voltage Range (V_{ICM})
Indicates the maximum voltage that can be applied to the non-inverting and inverting terminals without deterioration or destruction of electrical characteristics. Input common-mode voltage range of the maximum ratings does not assure normal operation of IC. For normal operation, use the IC within the input common-mode voltage range characteristics.
- (4) Operating and storage temperature ranges (T_{opr}, T_{stg})
The operating temperature range indicates the temperature range within which the IC can operate. The higher the ambient temperature, the lower the power consumption of the IC. The storage temperature range denotes the range of temperatures the IC can be stored under without causing excessive deterioration of the electrical characteristics.
- (5) Power dissipation (P_D)
Indicates the power that can be consumed by the IC when mounted on a specific board at the ambient temperature 25°C (normal temperature). As for package product, P_d is determined by the temperature that can be permitted by the IC in the package (maximum junction temperature) and the thermal resistance of the package.

2. Electrical characteristics

- (1) Input Offset Voltage (V_{IO})
Indicates the voltage difference between non-inverting terminal and inverting terminals. It can be translated into the input voltage difference required for setting the output voltage at 0 V.
- (2) Input Offset Voltage drift ($\Delta V_{IO} / \Delta T$)
Denotes the ratio of the input offset voltage fluctuation to the ambient temperature fluctuation.
- (3) Input Offset Current (I_{IO})
Indicates the difference of input bias current between the non-inverting and inverting terminals.
- (4) Input Offset Current Drift ($\Delta I_{IO} / \Delta T$)
Signifies the ratio of the input offset current fluctuation to the ambient temperature fluctuation.
- (5) Input Bias Current (I_B)
Indicates the current that flows into or out of the input terminal. It is defined by the average of input bias currents at the non-inverting and inverting terminals.
- (6) Supply Current (I_{CC})
Indicates the current that flows within the IC under specified no-load conditions.
- (7) Maximum Output Voltage(High) / Maximum Output Voltage(Low) (V_{OH}/V_{OL})
Indicates the voltage range of the output under specified load condition. It is typically divided into maximum output voltage High and low. Maximum output voltage high indicates the upper limit of output voltage. Maximum output voltage low indicates the lower limit.
- (8) Large Signal Voltage Gain (A_v)
Indicates the amplifying rate (gain) of output voltage against the voltage difference between non-inverting terminal and inverting terminal. It is normally the amplifying rate (gain) with reference to DC voltage.
 $A_v = (\text{Output voltage}) / (\text{Differential Input voltage})$
- (9) Input Common-mode Voltage Range (V_{ICM})
Indicates the input voltage range where IC normally operates.

- (10) Common-mode Rejection Ratio (CMRR)
Indicates the ratio of fluctuation of input offset voltage when the input common mode voltage is changed. It is normally the fluctuation of DC.
 $CMRR = (\text{Change of Input common-mode voltage}) / (\text{Input offset fluctuation})$
- (11) Power Supply Rejection Ratio (PSRR)
Indicates the ratio of fluctuation of input offset voltage when supply voltage is changed.
It is normally the fluctuation of DC.
 $PSRR = (\text{Change of power supply voltage}) / (\text{Input offset fluctuation})$
- (12) Output Source Current/ Output Sink Current ($I_{\text{source}} / I_{\text{sink}}$)
The maximum current that can be output from the IC under specific output conditions. The output source current indicates the current flowing out from the IC, and the output sink current indicates the current flowing into the IC.
indicates the current flowing out from the IC, and the output sink current indicates the current flowing into the IC.
- (13) Channel Separation (CS)
Indicates the fluctuation in the output voltage of the driven channel with reference to the change of output voltage of the channel which is not driven.
- (14) Slew Rate (SR)
Indicates the ratio of the change in output voltage with time when a step input signal is applied.
- (15) Gain Bandwidth (GBW)
The product of the open-loop voltage gain and the frequency at which the voltage gain decreases 6dB/octave.
- (16) Input Referred Noise Voltage (V_N)
Indicates a noise voltage generated inside the operational amplifier equivalent by ideal voltage source connected in series with input terminal.

Typical Performance Curves

OLM358xxx, LM2904xxx

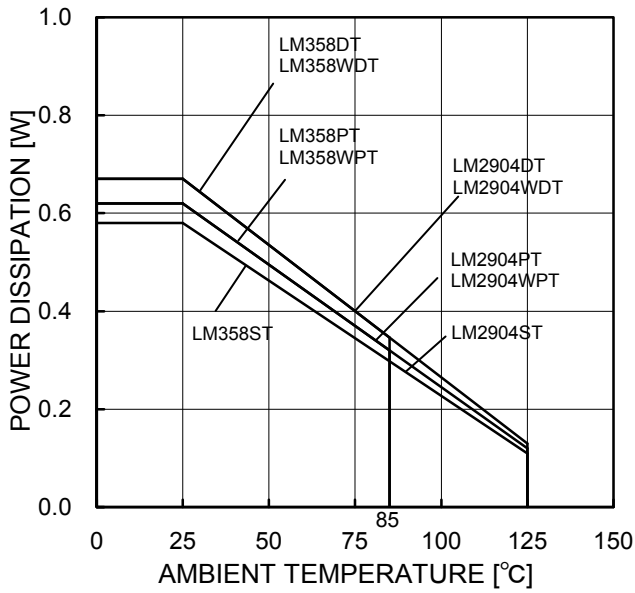


Figure 2.
Derating Curve

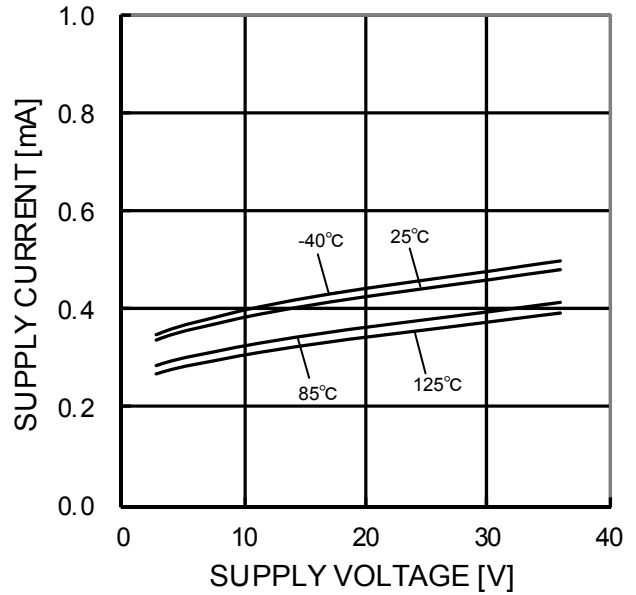


Figure 3.
Supply Current- Supply Voltage

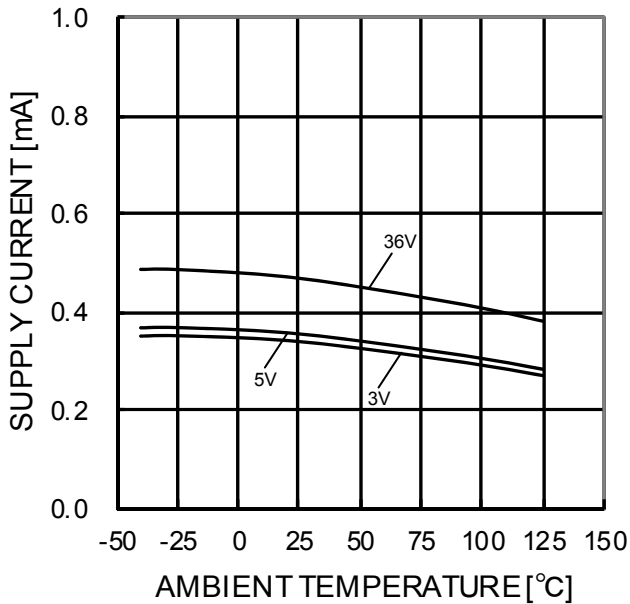


Figure 4.
Supply Current - Ambient Temperature

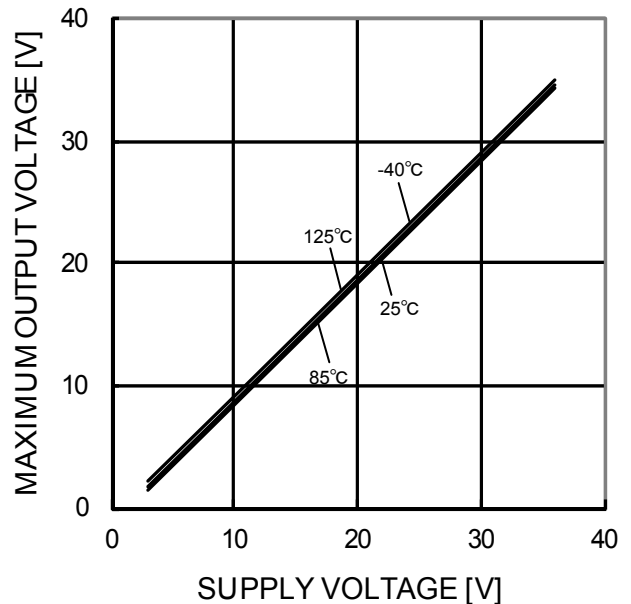


Figure 5.
Maximum Output Voltage - Supply Voltage
(RL=10kΩ)

(*) The above data is measurement value of typical sample, it is not guaranteed.

LM358 : -40°C to +85°C LM2904 : -40°C to +125°C

○ LM358xxx, LM2904xxx

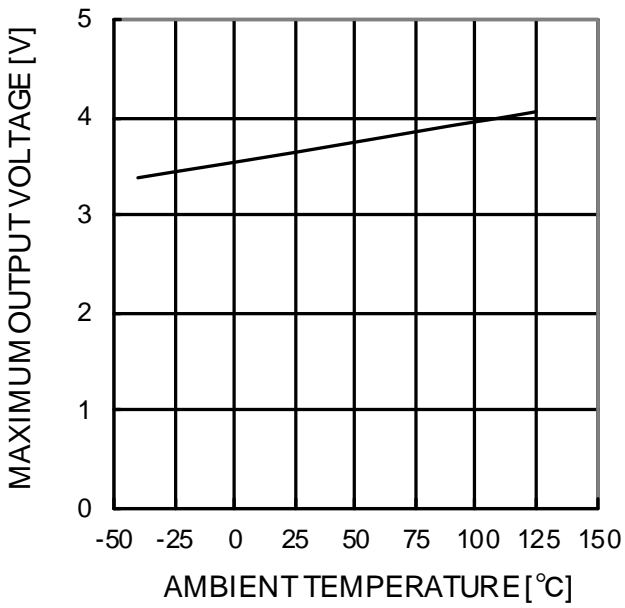


Figure 6.
Maximum Output Voltage - Ambient Temperature
($V_{cc^+}=5V$, $R_L=2k\Omega$)

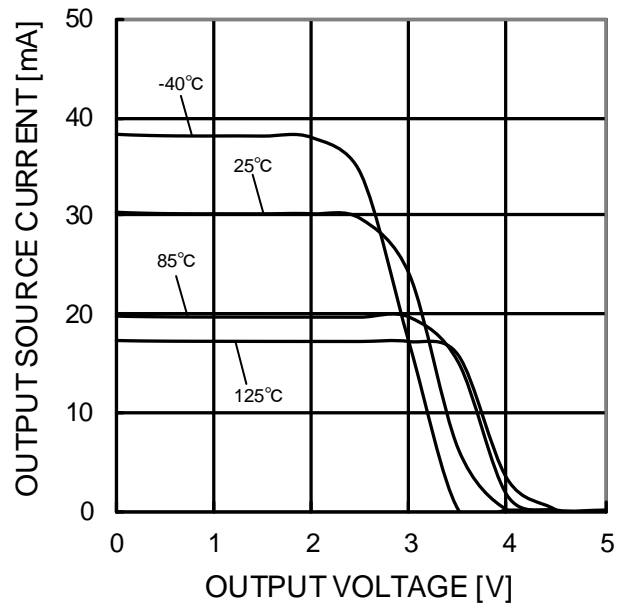


Figure 7.
Output Source Current - Output Voltage
($V_{cc^+}=5V$)

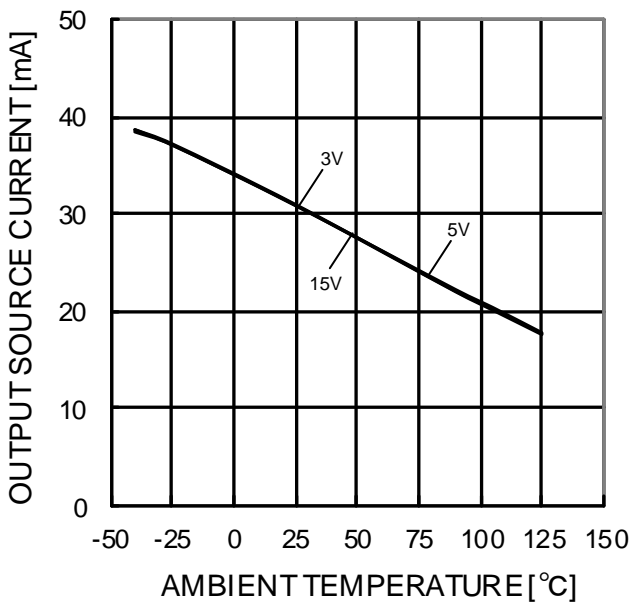


Figure 8.
Output Source Current - Ambient Temperature
($OUT=0V$)

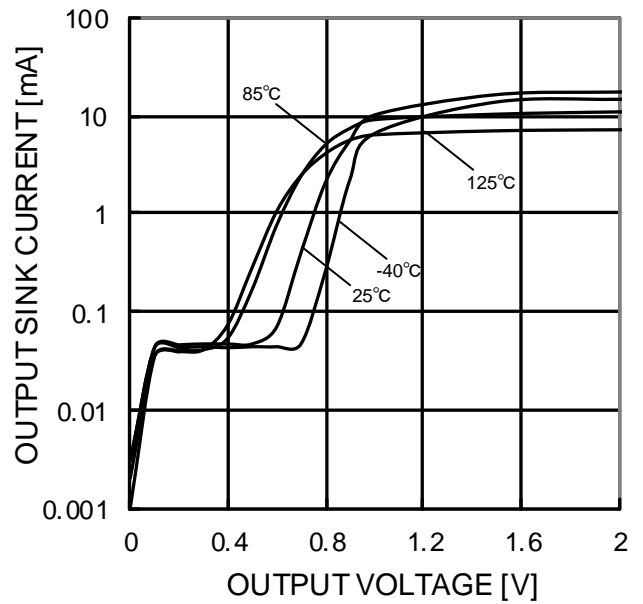


Figure 9.
Output Sink Current - Output Voltage
($V_{cc^+}=5V$)

(*) The above data is measurement value of typical sample, it is not guaranteed.
LM358 : -40°C to +70°C LM2904 : -40°C to +125°C

OLM358xxx, LM2904xxx

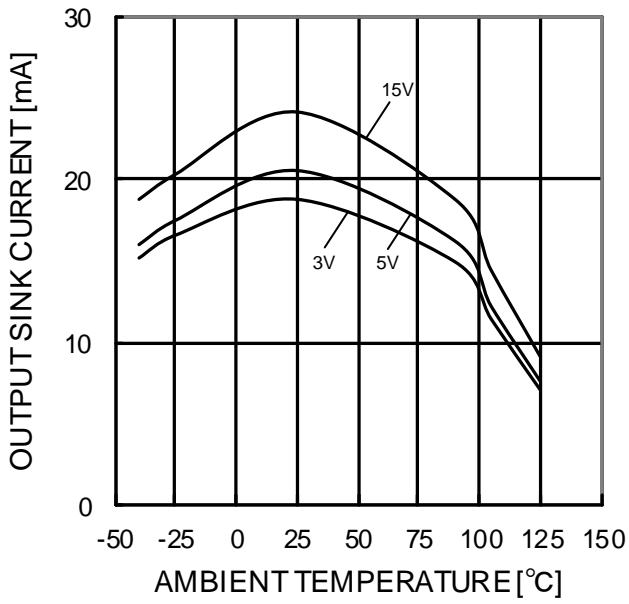


Figure 10.
Output Sink Current - Ambient Temperature
(OUT= Vcc⁺)

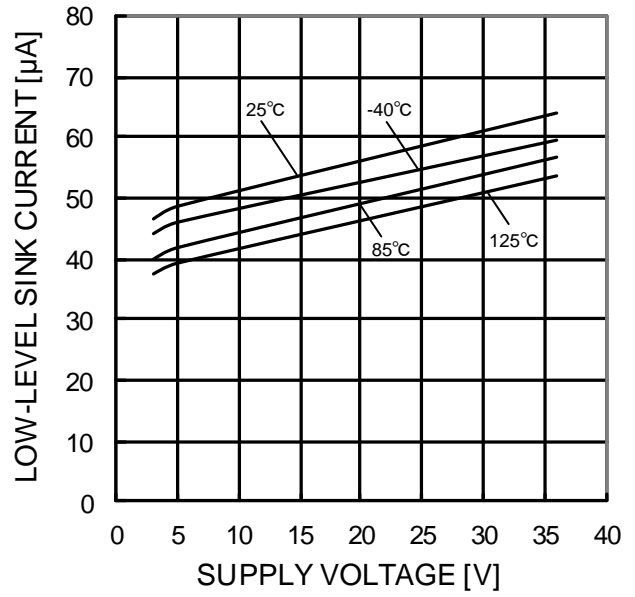


Figure 11.
Low Level Sink Current - Supply Voltage
(OUT=0.2V)

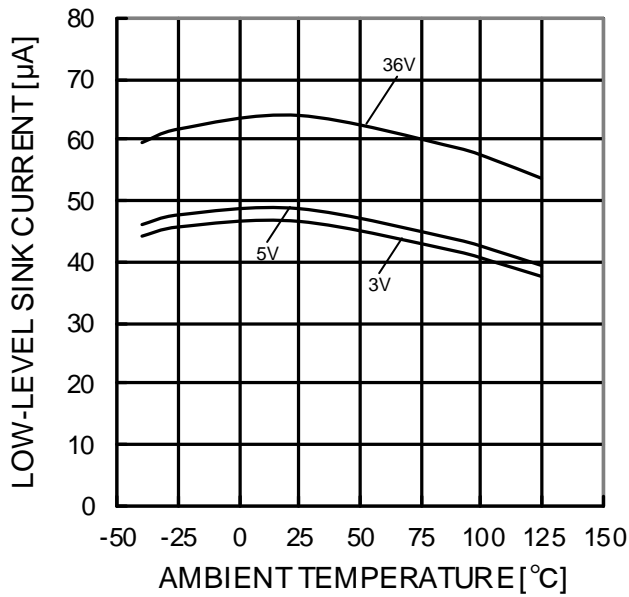


Figure 12.
Low Level Sink Current - Ambient Temperature
(OUT=0.2V)

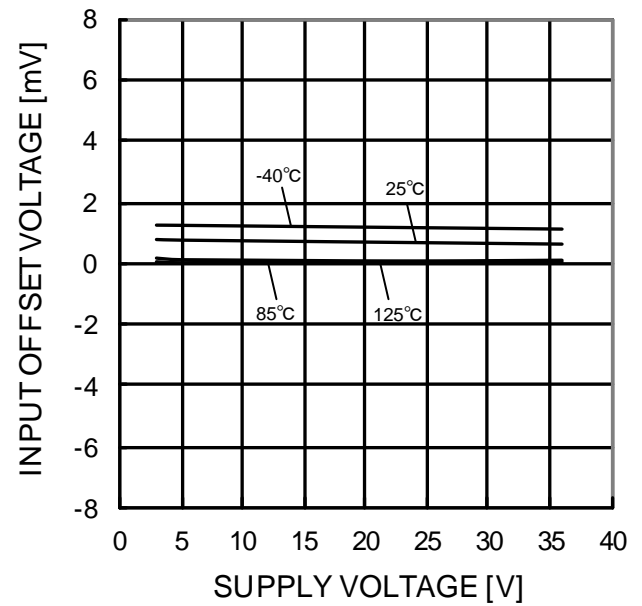


Figure 13.
Input Offset Voltage - Supply Voltage
(V_{ICM}=0V, OUT=1.4V)

(*) The above data is measurement value of typical sample, it is not guaranteed.
LM358 : -40°C to +85°C LM2904 : -40°C to +125°C

OLM358xxx, LM2904xxx

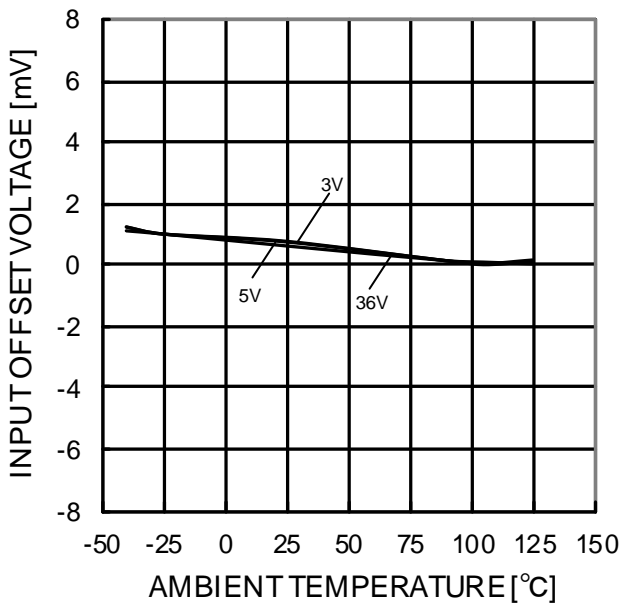


Figure 14.
Input Offset Voltage - Ambient Temperature
($V_{ICM}=0V$, $OUT=1.4V$)

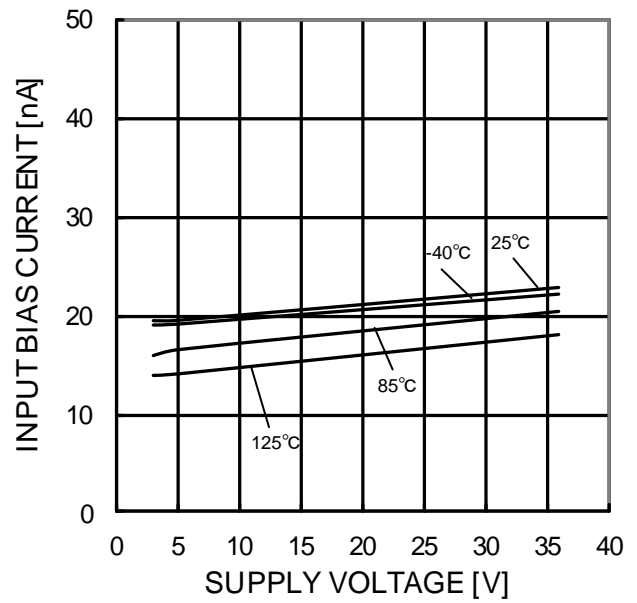


Figure 15.
Input Bias Current - Supply Voltage
($V_{ICM}=0V$, $OUT=1.4V$)

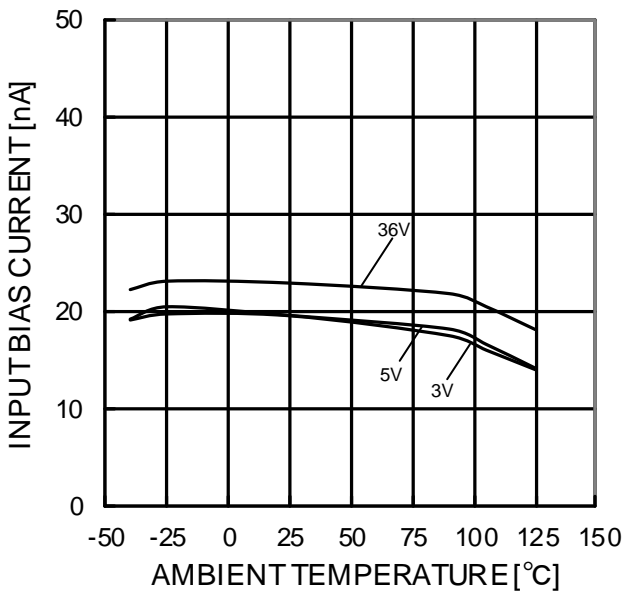


Figure 16.
Input Bias Current - Ambient Temperature
($V_{ICM}=0V$, $OUT=1.4V$)

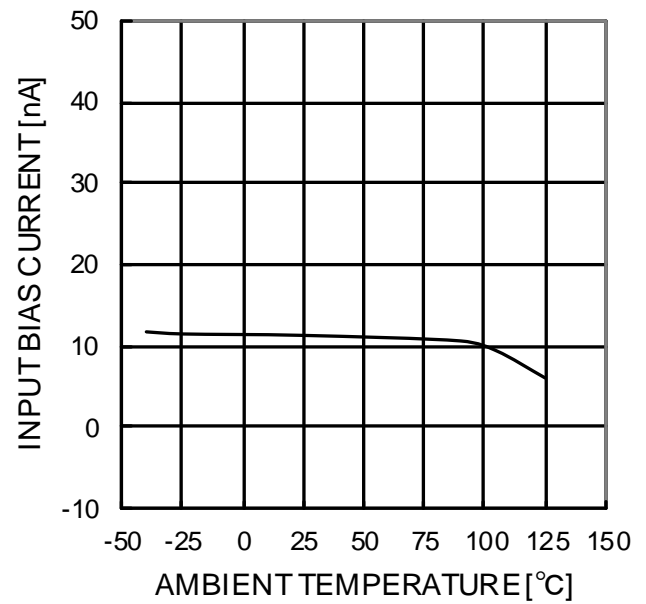


Figure 17.
Input Bias Current - Ambient Temperature
($V_{CC}^+=30V$, $V_{ICM}=28V$, $OUT=1.4V$)

(*) The above data is measurement value of typical sample, it is not guaranteed.
LM358 : -40°C to +85°C LM2904 : -40°C to +125°C

OLM358xxx, LM2904xxx

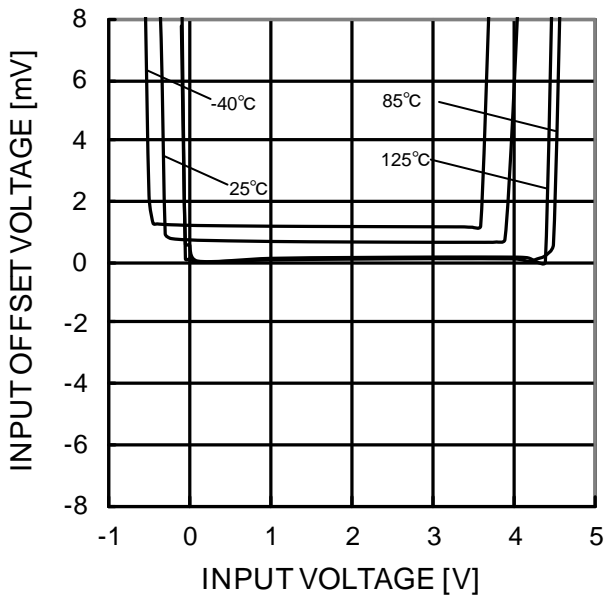


Figure 18.
Input Offset Voltage - Common Mode Input Voltage
($V_{CC}^+ = 5V$)

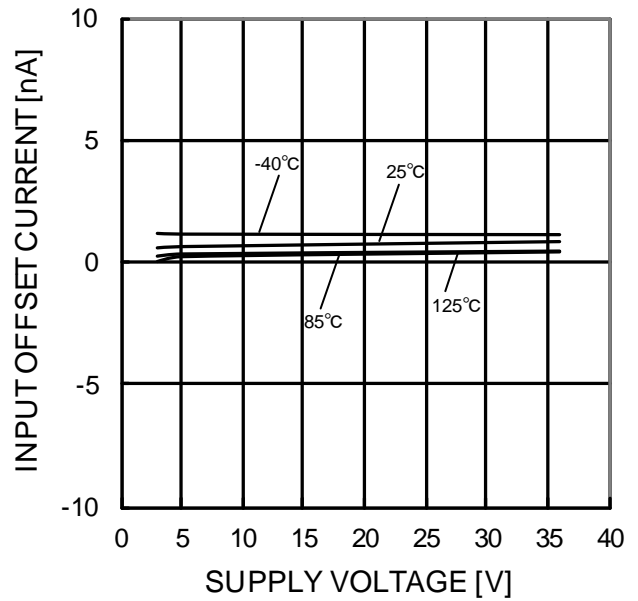


Figure 19.
Input Offset Current - Supply Voltage
($V_{ICM} = 0V$, $OUT = 1.4V$)

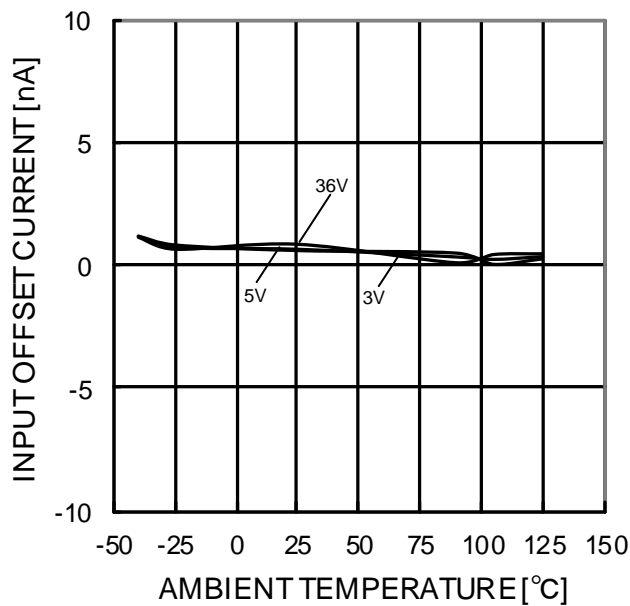


Figure 20.
Input Offset Current - Ambient Temperature
($V_{ICM} = 0V$, $OUT = 1.4V$)

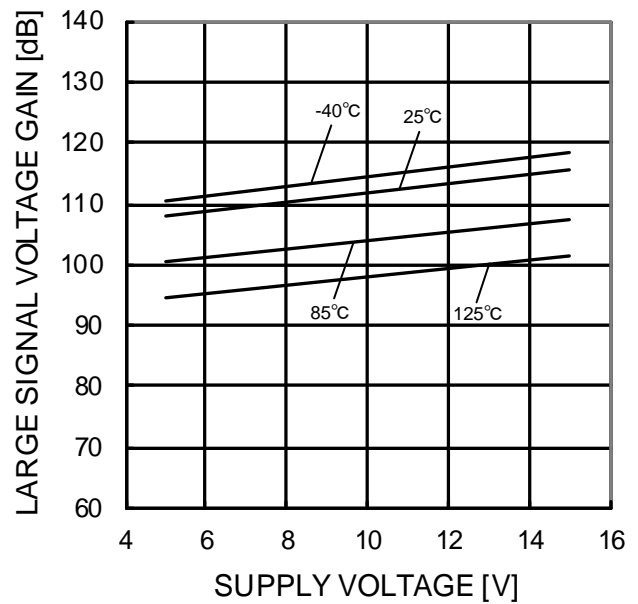


Figure 21.
Large Signal Voltage Gain - Supply Voltage
($R_L = 2k\Omega$)

(*) The above data is measurement value of typical sample, it is not guaranteed.
LM358 : -40°C to +85°C LM2904 : -40°C to +125°C

OLM358xxx, LM2904xxx

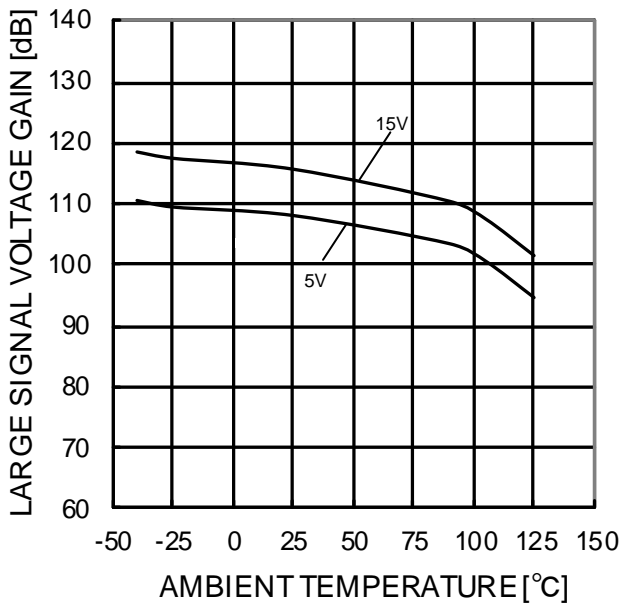


Figure 22.
Large Signal Voltage Gain
- Ambient Temperature
(RL=2kΩ)

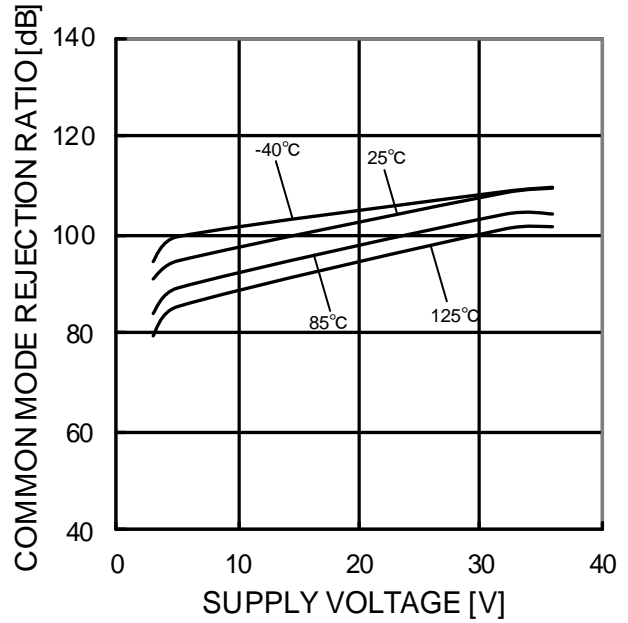


Figure 23.
Common Mode Rejection Ratio
- Supply Voltage

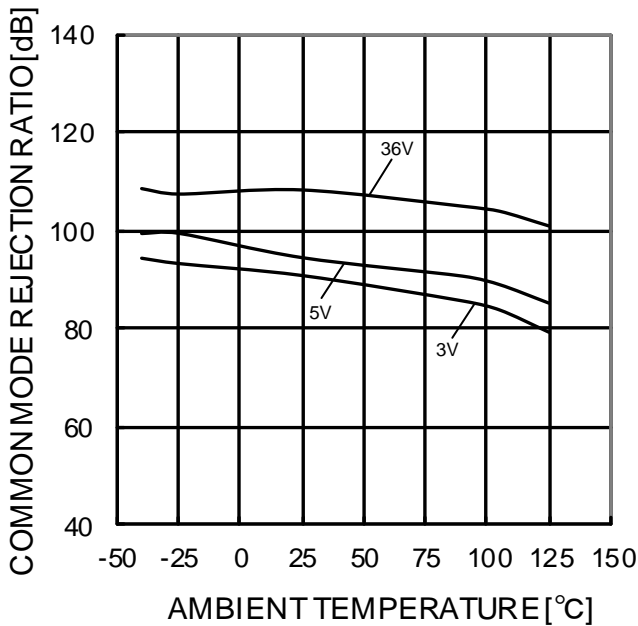


Figure 24.
Common Mode Rejection Ratio
- Ambient Temperature

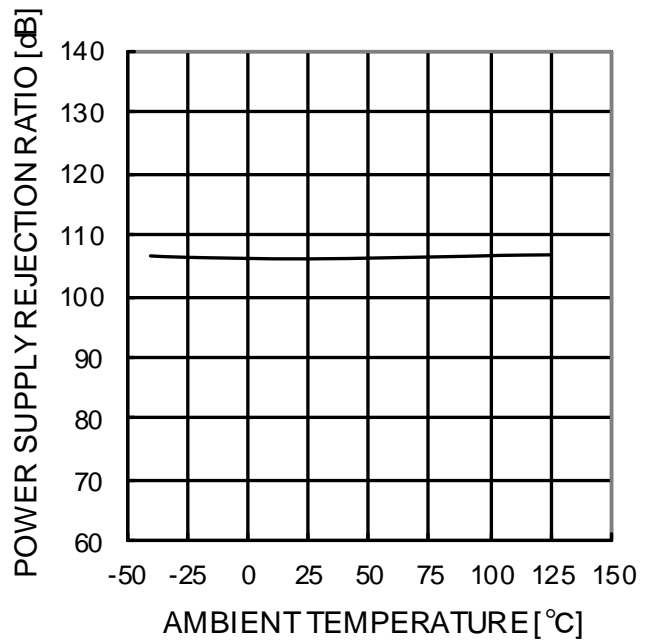


Figure 25.
Power Supply Rejection Ratio
- Ambient Temperature

(*) The above data is measurement value of typical sample, it is not guaranteed.
LM358 : -40°C to +85°C LM2904 : -40°C to +125°C

OLM324xxx, LM2902xxx

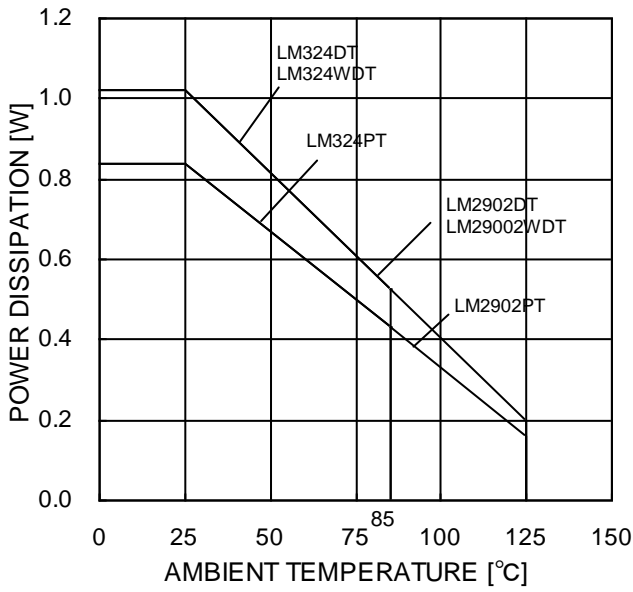


Figure 26.
Derating Curve

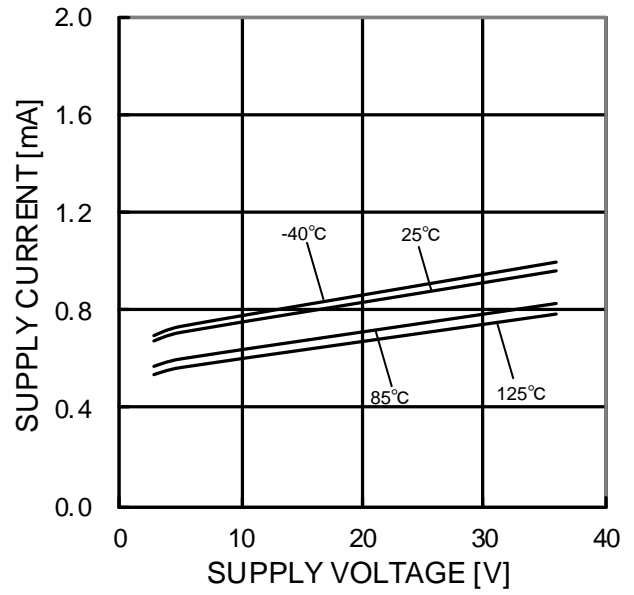


Figure 27.
Supply Current - Supply Voltage

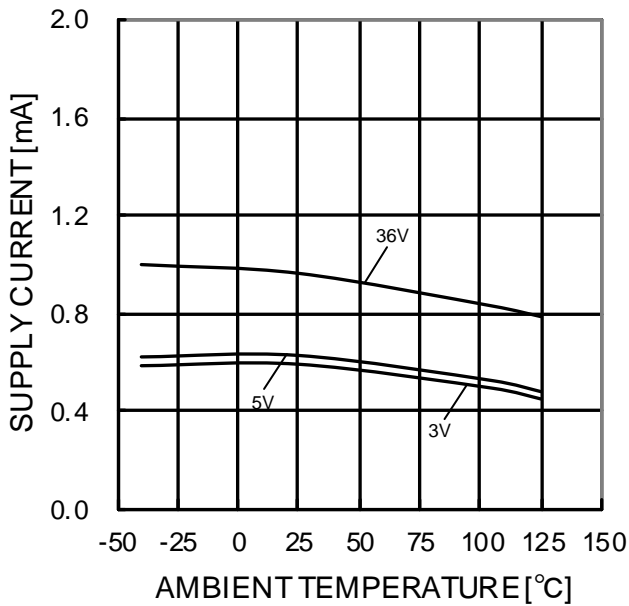


Figure 28.
Supply Current - Ambient Temperature

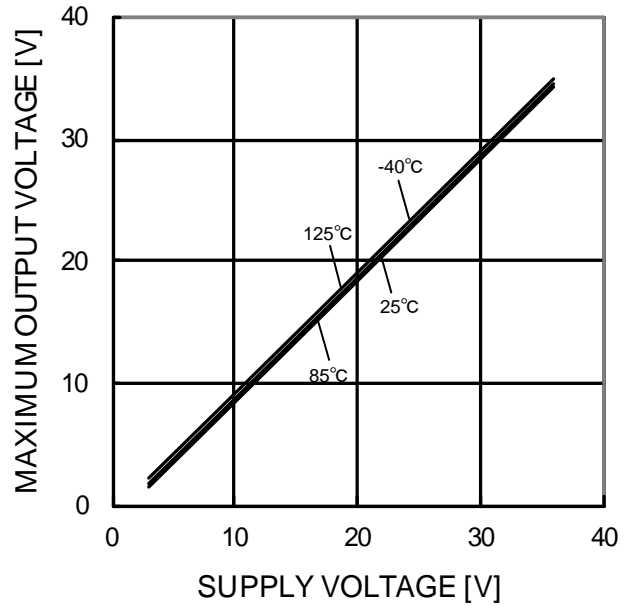


Figure 29.
Maximum Output Voltage - Supply Voltage
(RL=10kΩ)

(*) The above data is measurement value of typical sample, it is not guaranteed.
LM324 : -40°C to +85°C LM2902 : -40°C to +125°C

○ LM324xxx, LM2902xxx

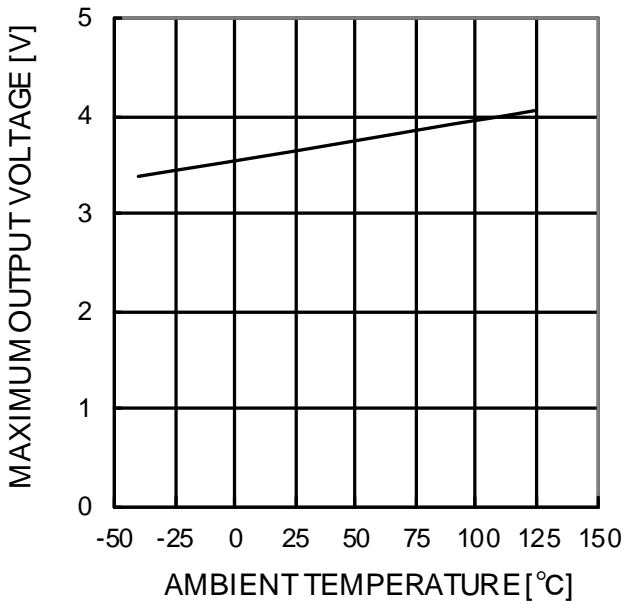


Figure 30.
Maximum Output Voltage - Ambient Temperature
($V_{CC}^+=5V$, $R_L=2k\Omega$)

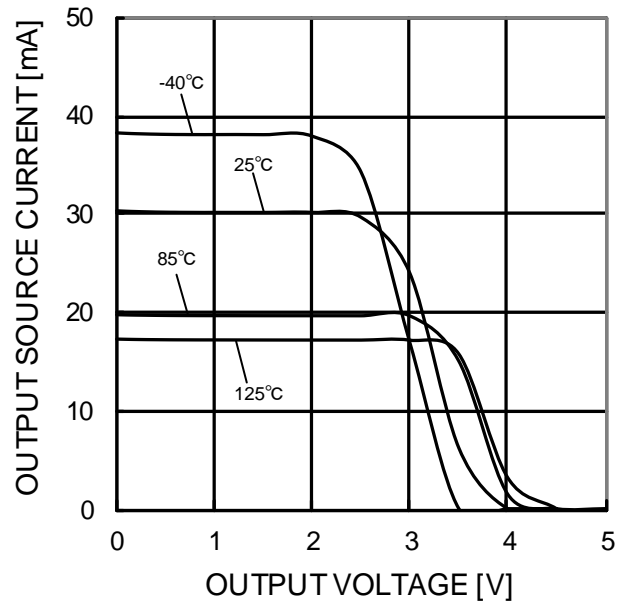


Figure 31.
Output Source Current - Output Voltage
($V_{CC}^+=5V$)

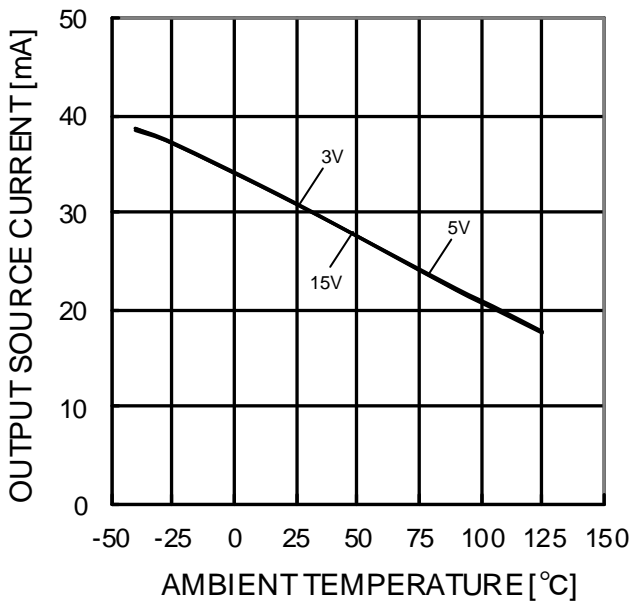


Figure 32.
Output Source Current - Ambient Temperature
($OUT=0V$)

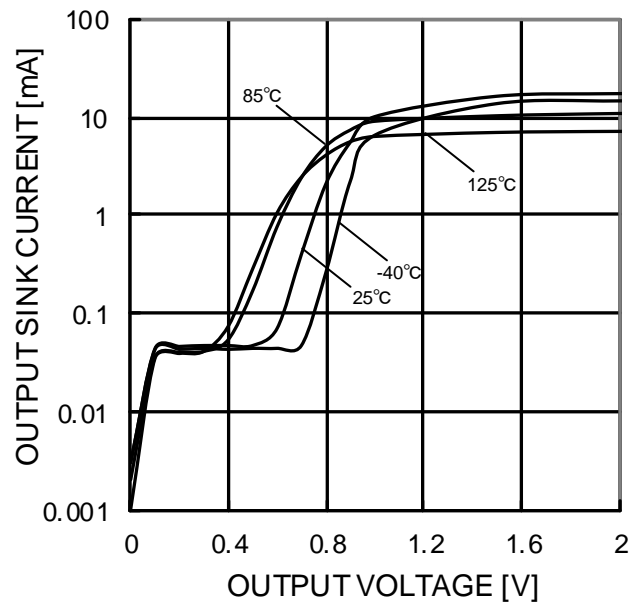


Figure 33.
Output Sink Current - Output Voltage
($V_{CC}^+=5V$)

(*) The above data is measurement value of typical sample, it is not guaranteed.
LM324 : -40°C to +85°C LM2902 : -40°C to +125°C

○ LM324xxx, LM2902xxx

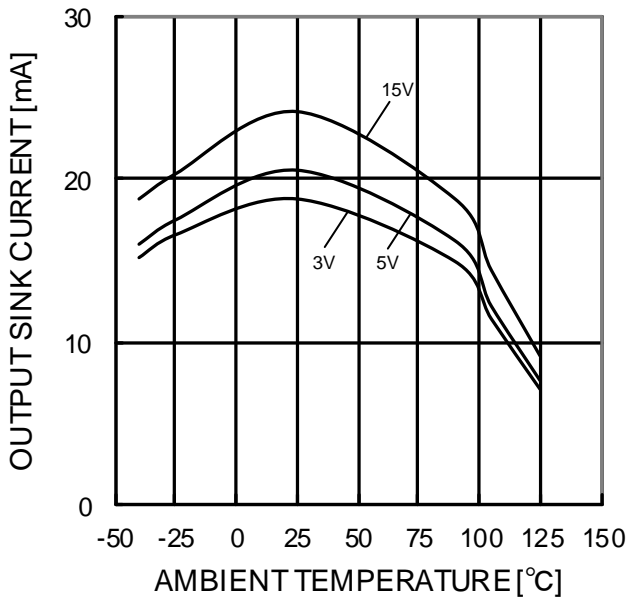


Figure 34.
Output Sink Current - Ambient Temperature
(OUT=Vcc⁺)

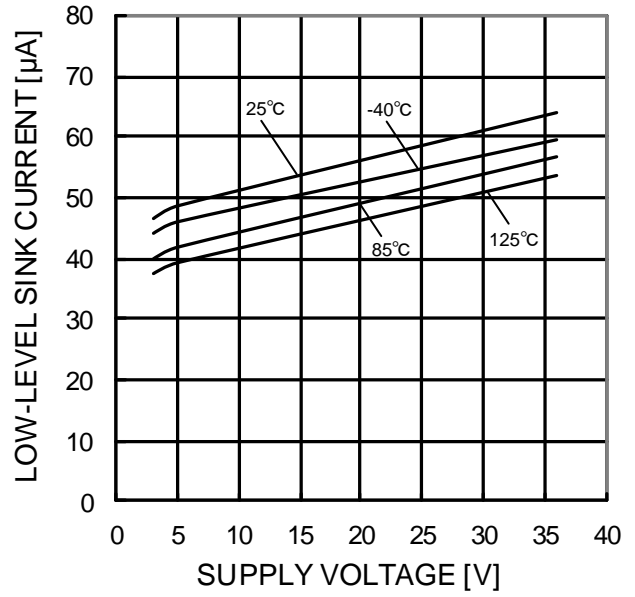


Figure 35.
Low Level Sink Current - Supply Voltage
(OUT=0.2V)

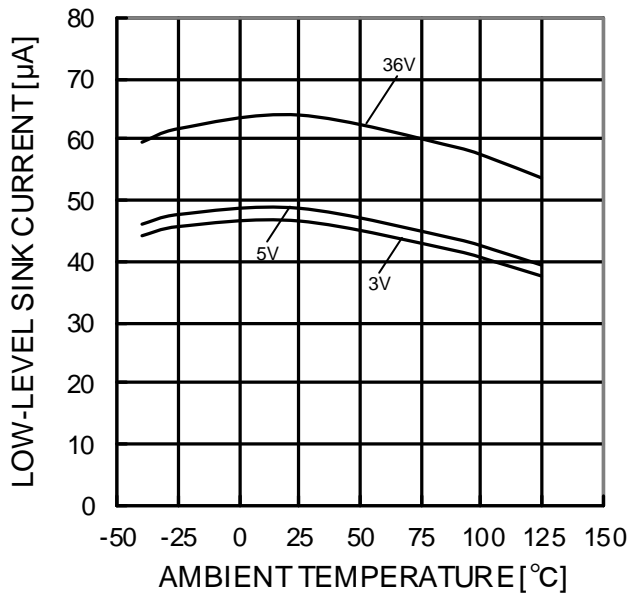


Figure 36.
Low Level Sink Current - Ambient Temperature
(OUT=0.2V)

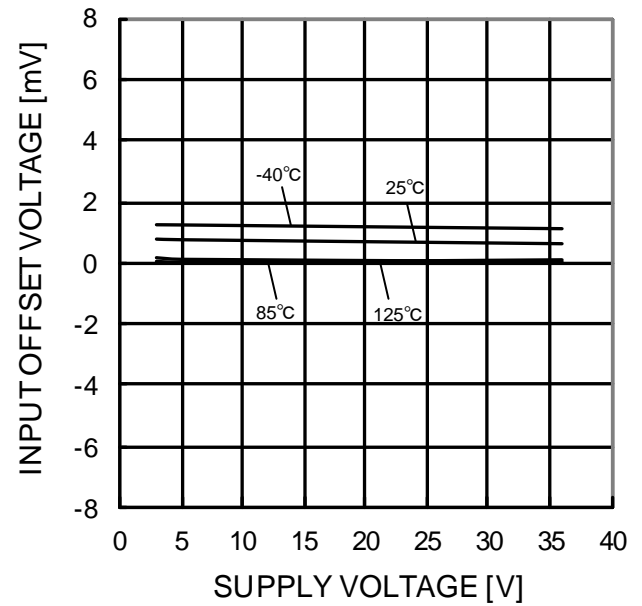


Figure 37.
Input Offset Voltage - Supply Voltage
(V_{ICM}=0V, OUT=1.4V)

(*) The above data is measurement value of typical sample, it is not guaranteed.
LM324 : -40°C to +85°C LM2902 : -40°C to +125°C

OLM324xxx, LM2902xxx

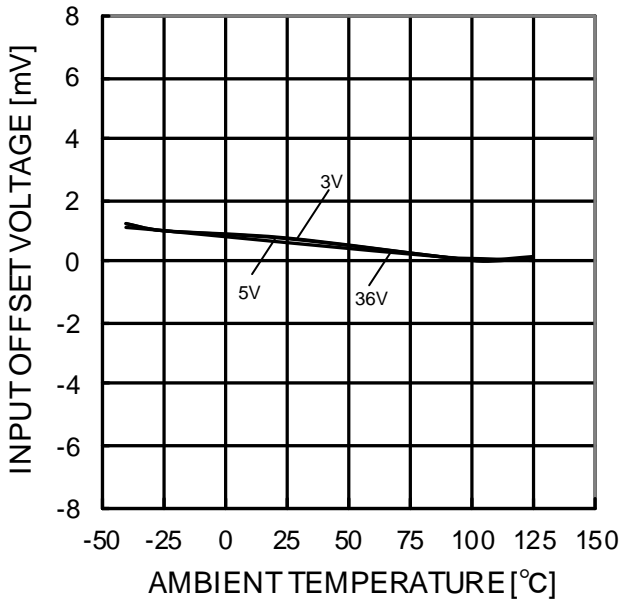


Figure 38.
Input Offset Voltage - Ambient Temperature
($V_{ICM}=0V$, $OUT=1.4V$)

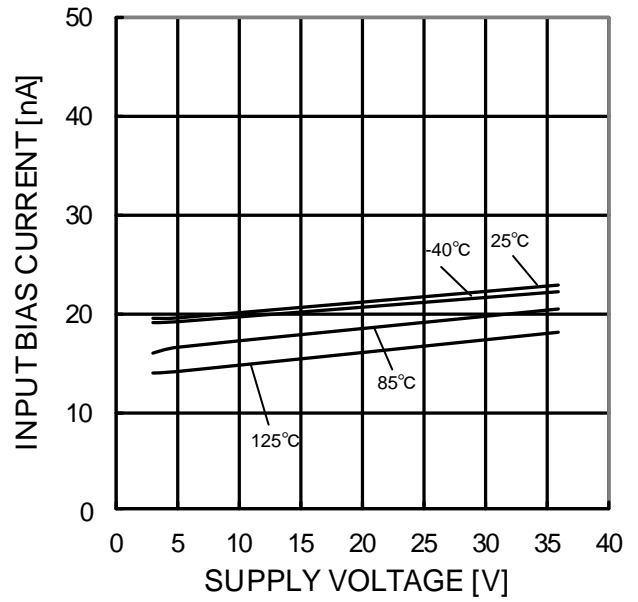


Figure 39.
Input Bias Current - Supply Voltage
($V_{ICM}=0V$, $OUT=1.4V$)

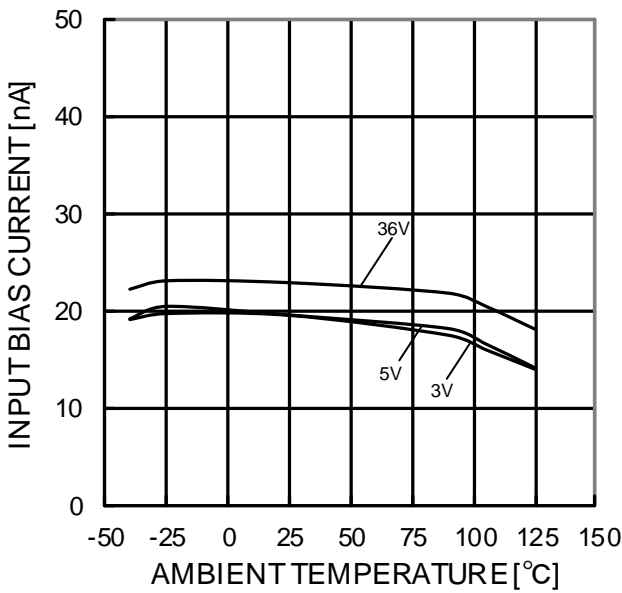


Figure 40.
Input Bias Current - Ambient Temperature
($V_{ICM}=0V$, $OUT=1.4V$)

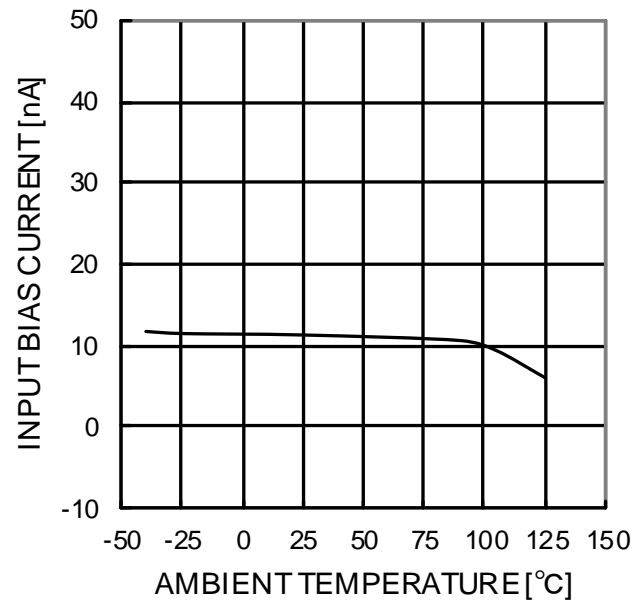


Figure 41.
Input Bias Current - Ambient Temperature
($V_{CC+}=30V$, $V_{ICM}=28V$, $OUT=1.4V$)

(*) The above data is measurement value of typical sample, it is not guaranteed.
LM324 : -40°C to +85°C LM2902 : -40°C to +125°C

OLM324xxx, LM2902xxx

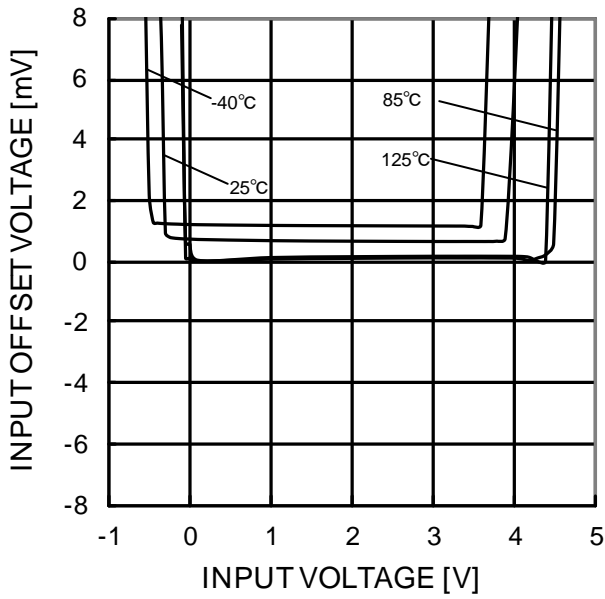


Figure 42.
Input Offset Voltage - Common Mode Input Voltage
($V_{CC^+}=5V$)

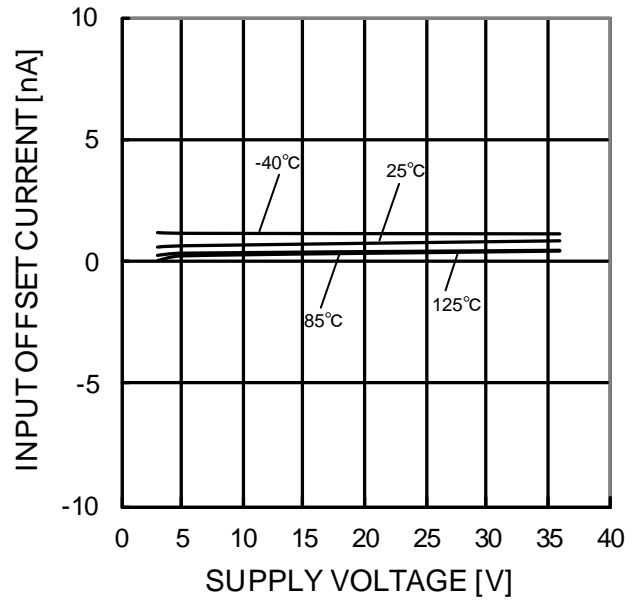


Figure 43.
Input Offset Current - Supply Voltage
($V_{ICM}=0V$, $OUT=1.4V$)

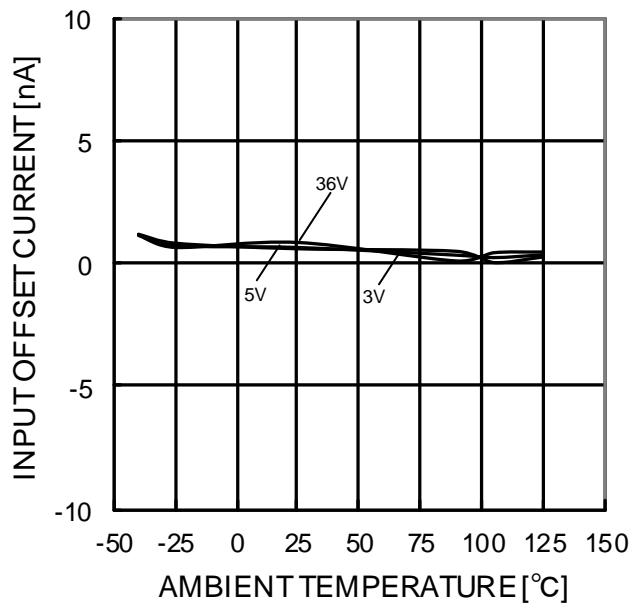


Figure 44.
Input Offset Current - Ambient Temperature
($V_{ICM}=0V$, $OUT=1.4V$)

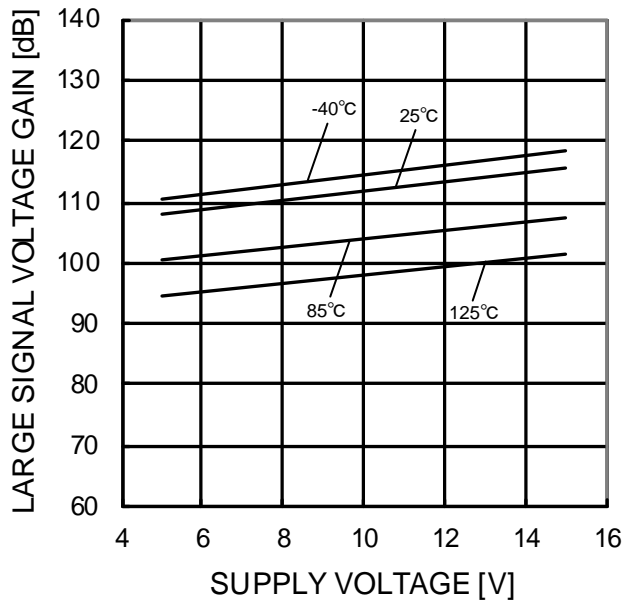


Figure 45.
Large Signal Voltage Gain - Supply Voltage
($R_L=2k\Omega$)

(*) The above data is measurement value of typical sample, it is not guaranteed.
LM324 : -40°C to +85°C LM2902 : -40°C to +125°C

OLM324xxx, LM2902xxx

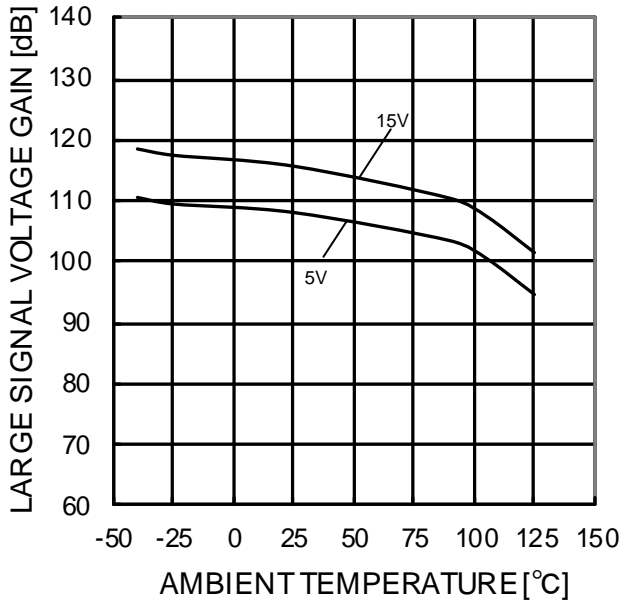


Figure 46.
Large Signal Voltage Gain - Ambient Temperature
(RL=2kΩ)

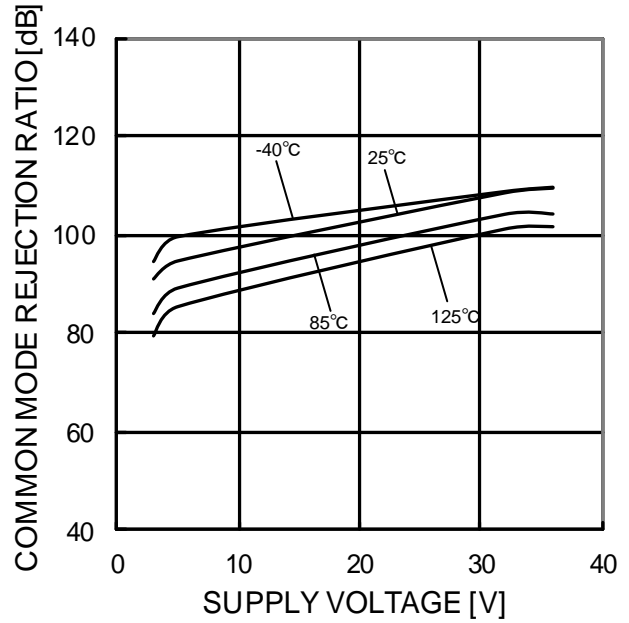


Figure 47.
Common Mode Rejection Ratio
- Supply Voltage

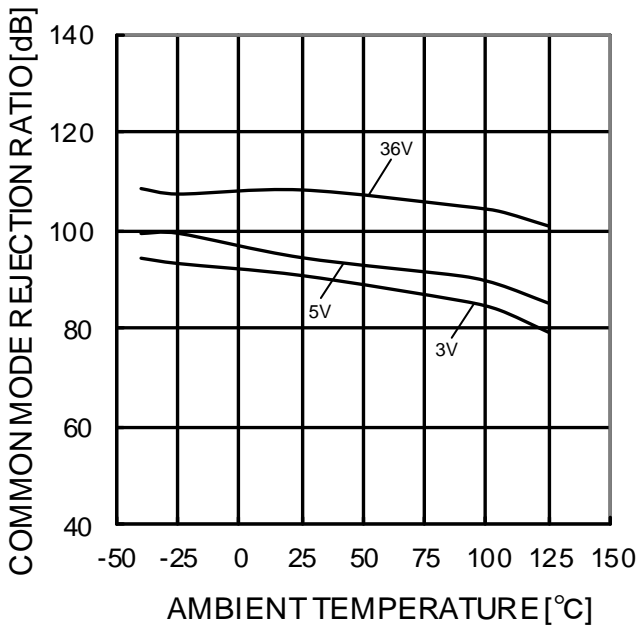


Figure 48.
Common Mode Rejection Ratio
- Ambient Temperature

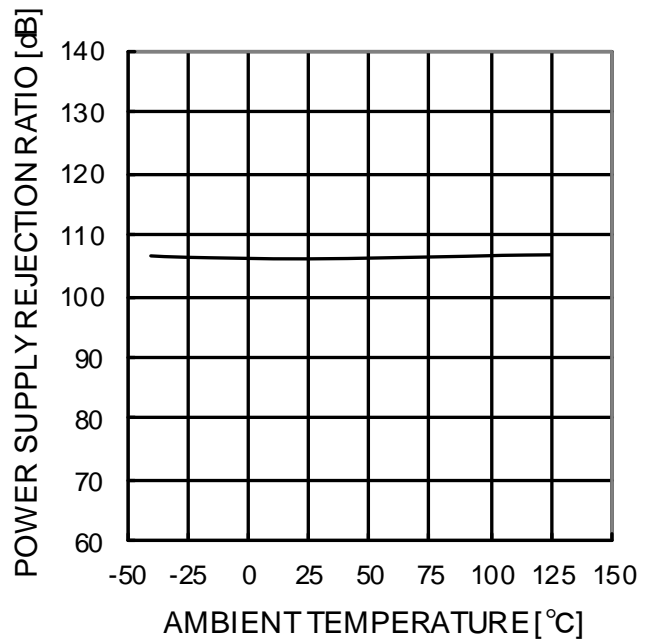


Figure 49.
Power Supply Rejection Ratio
- Ambient Temperature

(*) The above data is measurement value of typical sample, it is not guaranteed.
LM324 : -40°C to +85°C LM2902 : -40°C to +125°C

Application Information

Measurement Circuit 1 NULL Method Measurement Condition

Parameter	VF	S1	S2	S3	Vcc ⁺	Vcc ⁻	EK	Vicm	Calculation
Input Offset Voltage	VF1	ON	ON	OFF	5 to 30	0	-1.4	0	1
Input Offset Current	VF2	OFF	OFF	OFF	5	0	-1.4	0	2
Input Bias Current	VF3	OFF	ON	OFF	5	0	-1.4	0	3
	VF4	ON	OFF		5	0	-1.4	0	
Large Signal Voltage Gain	VF5	ON	ON	ON	15	0	-1.4	0	4
	VF6				15	0	-11.4	0	
Common-mode Rejection Ratio	VF7	ON	ON	OFF	5	0	-1.4	0	5
	VF8				5	0	-1.4	3.5	
Supply Voltage Rejection Ratio	VF9	ON	ON	OFF	5	0	-1.4	0	6
	VF10				30	0	-1.4	0	

-Calculation-

1. Input Offset Voltage (V_{IO})

$$V_{IO} = \frac{|V_{F1}|}{1+R_F/R_S} \text{ [V]}$$

2. Input Offset Current (I_{IO})

$$I_{IO} = \frac{|V_{F2}-V_{F1}|}{R_I \times (1+R_F/R_S)} \text{ [A]}$$

3. Input Bias Current (I_B)

$$I_B = \frac{|V_{F4}-V_{F3}|}{2 \times R_I \times (1+R_F/R_S)} \text{ [A]}$$

4. Large Signal Voltage Gain (A_v)

$$A_v = 20 \text{Log} \frac{10 \times (1+R_F/R_S)}{|V_{F5}-V_{F6}|} \text{ [dB]}$$

5. Common-mode Rejection Ration (CMRR)

$$\text{CMRR} = 20 \text{Log} \frac{3.5 \times (1+R_F/R_S)}{|V_{F8}-V_{F7}|} \text{ [dB]}$$

6. Power supply rejection ratio (PSRR)

$$\text{PSRR} = 20 \text{Log} \frac{25 \times (1+R_F/R_S)}{|V_{F10} - V_{F9}|} \text{ [dB]}$$

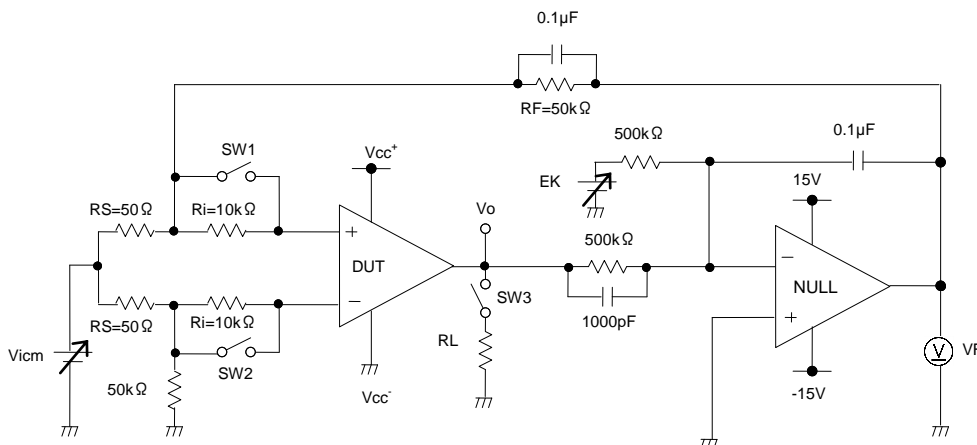


Figure . 50 Test circuit1 (one channel only)

Measurement Circuit2 Switch Condition

SW No.	SW 1	SW 2	SW 3	SW 4	SW 5	SW 6	SW 7	SW 8	SW 9	SW 10	SW 11	SW 12	SW 13	SW 14	SW 15
Supply Current	OFF	OFF	OFF	ON	OFF	OFF	ON	OFF	OFF	OFF	OFF	OFF	OFF	OFF	OFF
High level Output Voltage	OFF	OFF	ON	OFF	OFF	OFF	ON	OFF	OFF	ON	OFF	OFF	OFF	ON	OFF
Low level Output Voltage	OFF	OFF	ON	OFF	OFF	OFF	ON	OFF	OFF	ON	OFF	OFF	OFF	ON	OFF
Output source current	OFF	OFF	ON	OFF	OFF	OFF	ON	OFF	OFF	OFF	OFF	OFF	OFF	OFF	ON
Output sink current	OFF	OFF	ON	OFF	OFF	OFF	ON	OFF	OFF	OFF	OFF	OFF	OFF	OFF	ON
Slew Rate	OFF	OFF	OFF	ON	OFF	OFF	OFF	OFF	ON	ON	ON	OFF	OFF	OFF	OFF
Gain band width product	OFF	ON	OFF	OFF	OFF	ON	ON	OFF	OFF	ON	ON	OFF	OFF	OFF	OFF
Equivalent input noise voltage	ON	OFF	OFF	OFF	ON	OFF	ON	OFF	OFF	OFF	OFF	ON	OFF	OFF	OFF

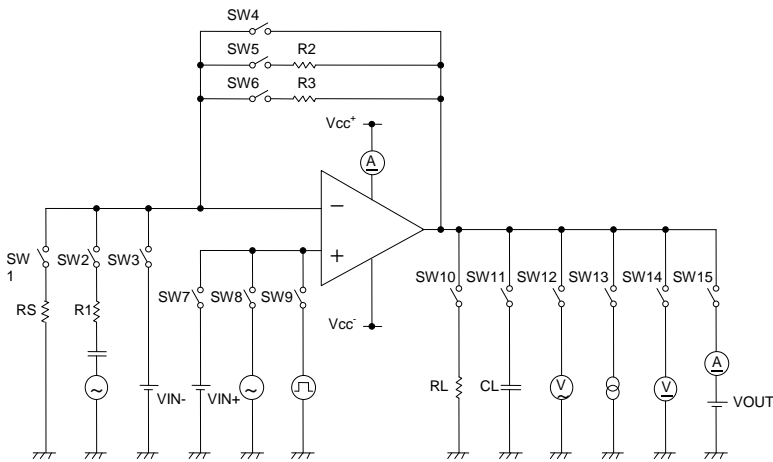


Figure 51 Measurement circuit2 (Each Op-Amps)

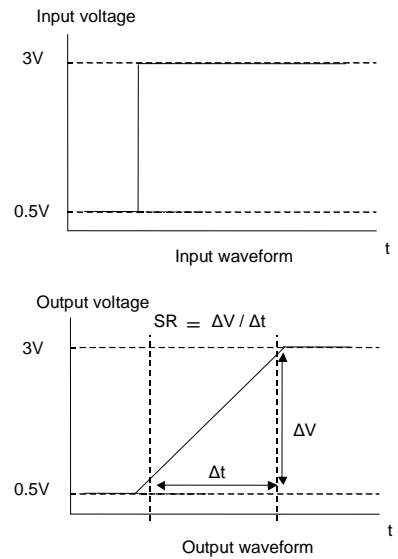


Figure 52 Slew Rate Input Waveform

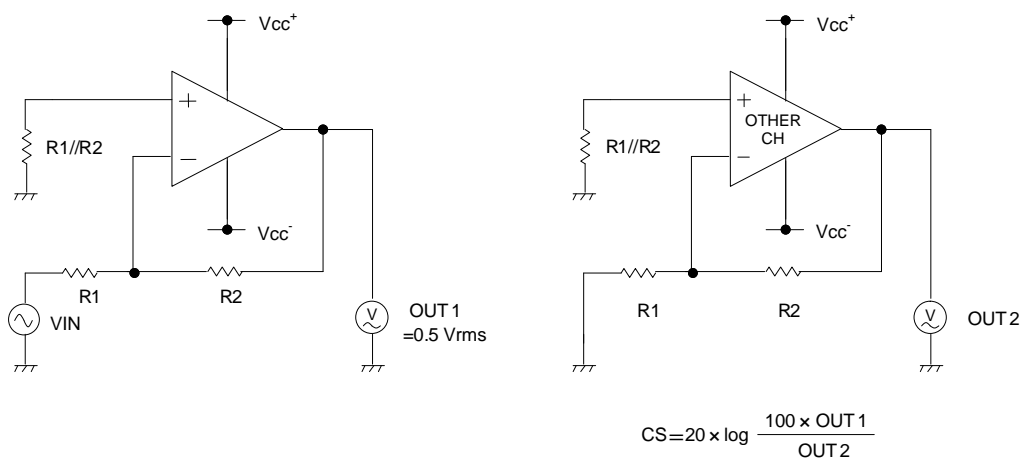
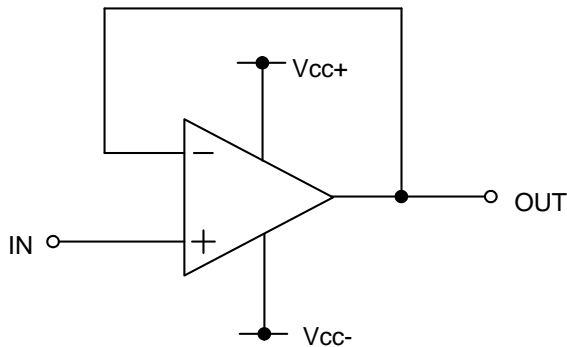


Figure 53 Measurement Circuit3 (Channel Separation)
(R1=1kΩ, R2=100kΩ)

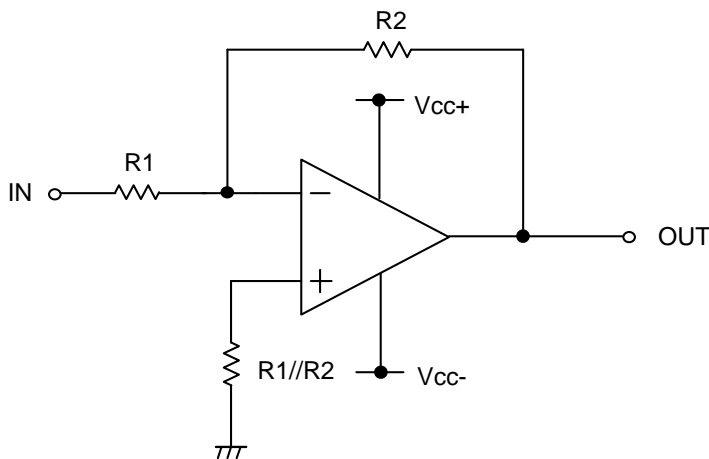
Examples of circuit

○Voltage follower



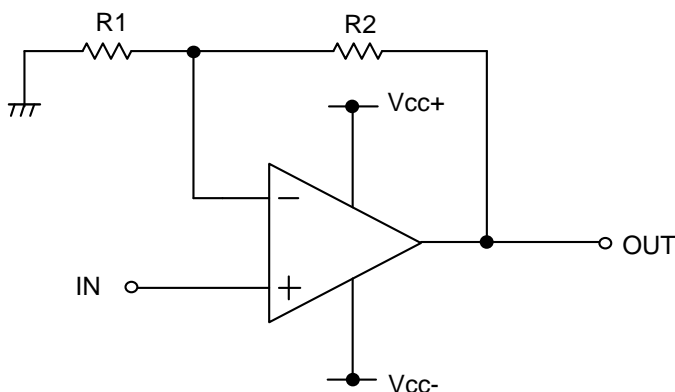
Voltage gain is 0 dB.
 This circuit controls output voltage (OUT) equal input voltage (IN), and keeps OUT with stable because of high input impedance and low output impedance.
 OUT is shown next formula.
 $OUT=IN$

○Inverting amplifier



For inverting amplifier, IN is amplified by voltage gain decided R1 and R2, and phase reversed voltage is output.
 OUT is shown next formula.
 $OUT=-\left(\frac{R2}{R1}\right) \cdot IN$
 Input impedance is R1.

○Non-inverting amplifier



For non-inverting amplifier, IN is amplified by voltage gain decided R1 and R2, and phase is same with IN.
 OUT is shown next formula.
 $OUT= \left(1+\frac{R2}{R1}\right) \cdot IN$
 This circuit realizes high input impedance because Input impedance is operational amplifier's input Impedance.

Power Dissipation

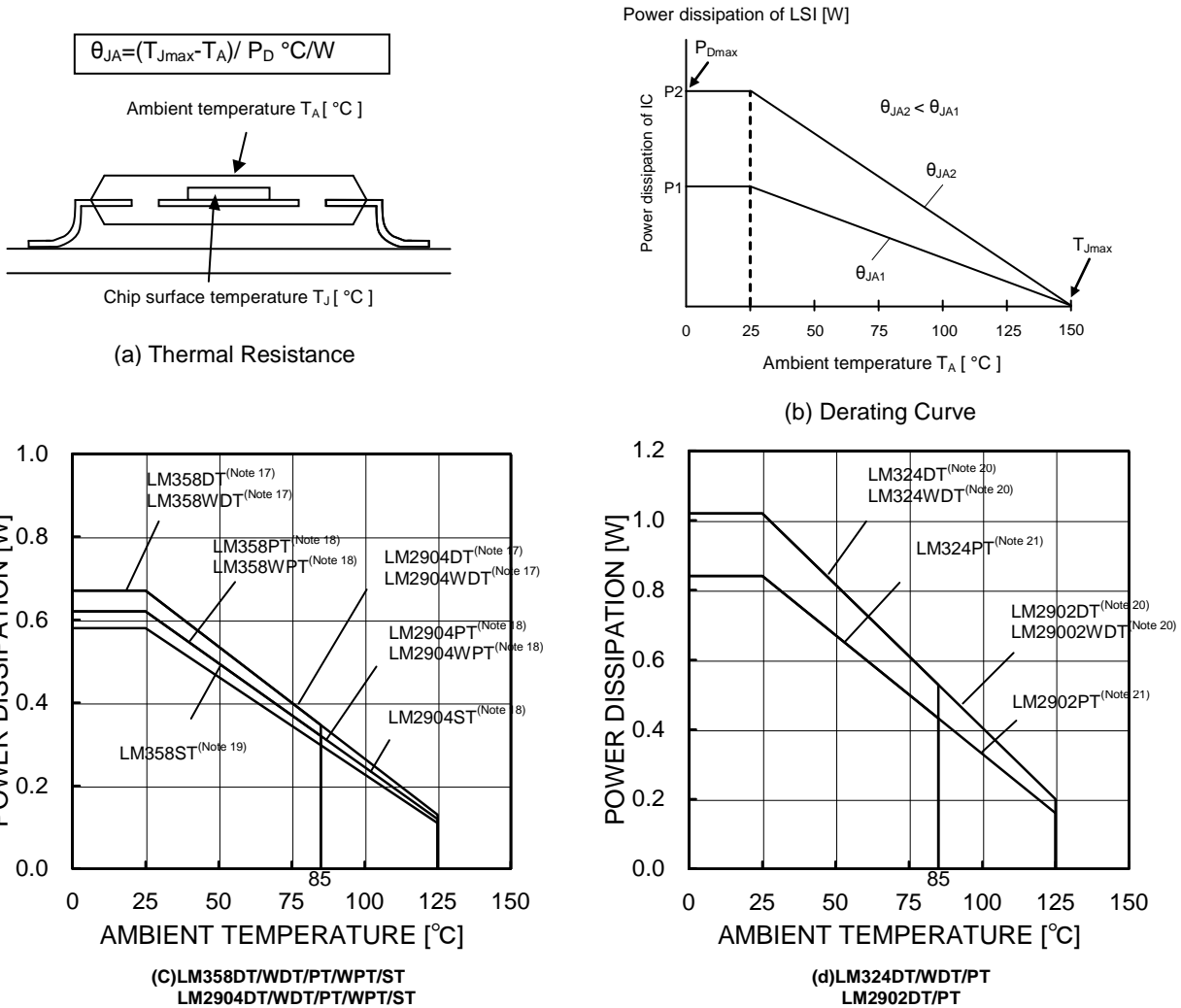
Power dissipation (total loss) indicates the power that the IC can consume at $T_A=25^\circ\text{C}$ (normal temperature). As the IC consumes power, it heats up, causing its temperature to be higher than the ambient temperature. The allowable temperature that the IC can accept is limited. This depends on the circuit configuration, manufacturing process, and consumable power.

Power dissipation is determined by the allowable temperature within the IC (maximum junction temperature) and the thermal resistance of the package used (heat dissipation capability). Maximum junction temperature is typically equal to the maximum storage temperature. The heat generated through the consumption of power by the IC radiates from the mold resin or lead frame of the package. Thermal resistance, represented by the symbol θ_{JA} $^\circ\text{C}/\text{W}$, indicates this heat dissipation capability. Similarly, the temperature of an IC inside its package can be estimated by thermal resistance.

Figure 54(a) shows the model of the thermal resistance of a package. The equation below shows how to compute for the Thermal resistance (θ_{JA}), given the ambient temperature (T_A), maximum junction temperature (T_{Jmax}), and power dissipation (P_D).

$$\theta_{JA} = (T_{Jmax} - T_A) / P_D \quad ^\circ\text{C}/\text{W}$$

The derating curve in Figure 54(b) indicates the power that the IC can consume with reference to ambient temperature. Power consumption of the IC begins to attenuate at certain temperatures. This gradient is determined by Thermal resistance (θ_{JA}), which depends on the chip size, power consumption, package, ambient temperature, package condition, wind velocity, etc. This may also vary even when the same of package is used. Thermal reduction curve indicates a reference value measured at a specified condition. Figure 54(c), (d) shows an example of the derating curve for LM358xxx, LM2904xxx, LM324xxx and LM2902xxx.



Power Dissipation

(Note 17)	(Note 18)	(Note 19)	(Note 20)	(Note 21)	Unit
6.2	5.4	5.0	8.2	7.0	mW/°C

Figure 54 Derating Curves

Operational Notes**1. Reverse Connection of Power Supply**

Connecting the power supply in reverse polarity can damage the IC. Take precautions against reverse polarity when connecting the power supply, such as mounting an external diode between the power supply and the IC's power supply terminals.

2. Power Supply Lines

Design the PCB layout pattern to provide low impedance ground and supply lines. Separate the ground and supply lines of the digital and analog blocks to prevent noise in the ground and supply lines of the digital block from affecting the analog block. Furthermore, connect a capacitor to ground at all power supply pins. Consider the effect of temperature and aging on the capacitance value when using electrolytic capacitors.

3. Ground Voltage

Ensure that no pins are at a voltage below that of the ground pin at any time, even during transient condition.

4. Ground Wiring Pattern

When using both small-signal and large-current GND traces, the two ground traces should be routed separately but connected to a single ground at the reference point of the application board to avoid fluctuations in the small-signal ground caused by large currents. Also ensure that the GND traces of external components do not cause variations on the GND voltage. The power supply and ground lines must be as short and thick as possible to reduce line impedance.

5. Thermal Consideration

Should by any chance the power dissipation rating be exceeded, the rise in temperature of the chip may result in deterioration of the properties of the chip. The absolute maximum rating of the Pd stated in this specification is when the IC is mounted on a 70mm x 70mm x 1.6mm glass epoxy board. In case of exceeding this absolute maximum rating, increase the board size and copper area to prevent exceeding the Pd rating.

6. Recommended Operating Conditions

These conditions represent a range within which the expected characteristics of the IC can be approximately obtained. The electrical characteristics are guaranteed under the conditions of each parameter.

7. Inrush Current

When power is first supplied to the IC, it is possible that the internal logic may be unstable and inrush current may flow instantaneously due to the internal powering sequence and delays, especially if the IC has more than one power supply. Therefore, give special consideration to power coupling capacitance, power wiring, width of GND wiring, and routing of connections.

8. Operation Under Strong Electromagnetic Field

Operating the IC in the presence of a strong electromagnetic field may cause the IC to malfunction.

9. Testing on Application Boards

When testing the IC on an application board, connecting a capacitor directly to a low-impedance output pin may subject the IC to stress. Always discharge capacitors completely after each process or step. The IC's power supply should always be turned off completely before connecting or removing it from the test setup during the inspection process. To prevent damage from static discharge, ground the IC during assembly and use similar precautions during transport and storage.

10. Inter-pin Short and Mounting Errors

Ensure that the direction and position are correct when mounting the IC on the PCB. Incorrect mounting may result in damaging the IC. Avoid nearby pins being shorted to each other especially to ground. Inter-pin shorts could be due to many reasons such as metal particles, water droplets (in very humid environment) and unintentional solder bridge deposited in between pins during assembly to name a few.

Operational Notes – continued

11. Regarding Input Pins of the IC

This monolithic IC contains P+ isolation and P substrate layers between adjacent elements in order to keep them isolated. P-N junctions are formed at the intersection of the P layers with the N layers of other elements, creating a parasitic diode or transistor. For example (refer to figure below):

When $GND > Pin A$ and $GND > Pin B$, the P-N junction operates as a parasitic diode.

When $GND > Pin B$, the P-N junction operates as a parasitic transistor.

Parasitic diodes inevitably occur in the structure of the IC. The operation of parasitic diodes can result in mutual interference among circuits, operational faults, or physical damage. Therefore, conditions that cause these diodes to operate, such as applying a voltage lower than the GND voltage to an input pin (and thus to the P substrate) should be avoided.

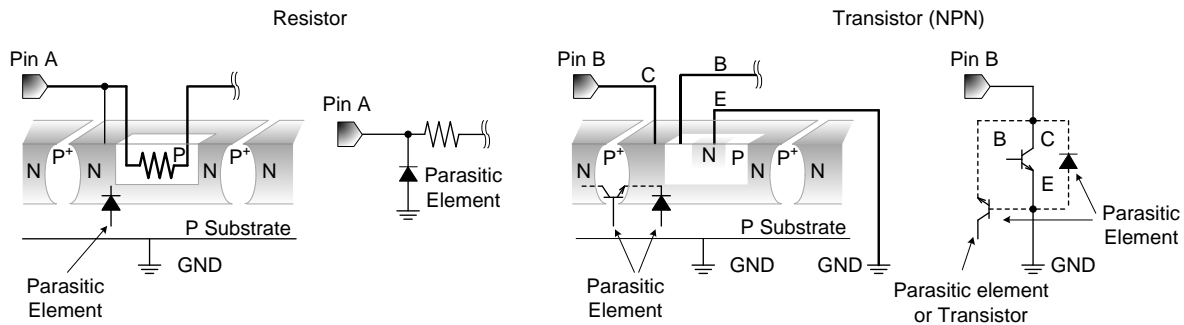


Figure 55. Example of Monolithic IC Structure

12. Unused Circuits

When there are unused circuits it is recommended that they be connected as in Figure 104, setting the non-inverting input terminal to a potential within the in-phase input voltage range (V_{ICM}).

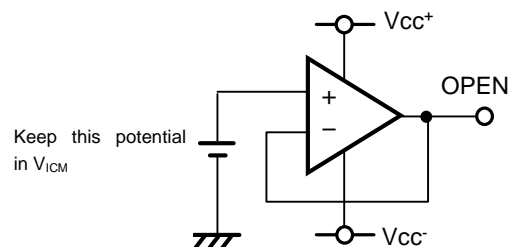


Figure 56. Disable Circuit Example

13. Input Terminal Voltage

Applying $V_{cc}^- + 36V$ to the input terminal is possible without causing deterioration of the electrical characteristics or destruction, irrespective of the supply voltage. However, this does not ensure normal circuit operation. Please note that the circuit operates normally only when the input voltage is within the common mode input voltage range of the electric characteristics.

14. Power Supply (signal / dual)

The op-amp operates when the specified voltage supplied is between V_{cc}^+ and V_{cc}^- . Therefore, the single supply op-amp can be used as a dual supply op-amp as well.

15. Terminal short-circuits

When the output and V_{cc}^+ terminals are shorted, excessive output current may flow, resulting in undue heat generation and, subsequently, destruction.

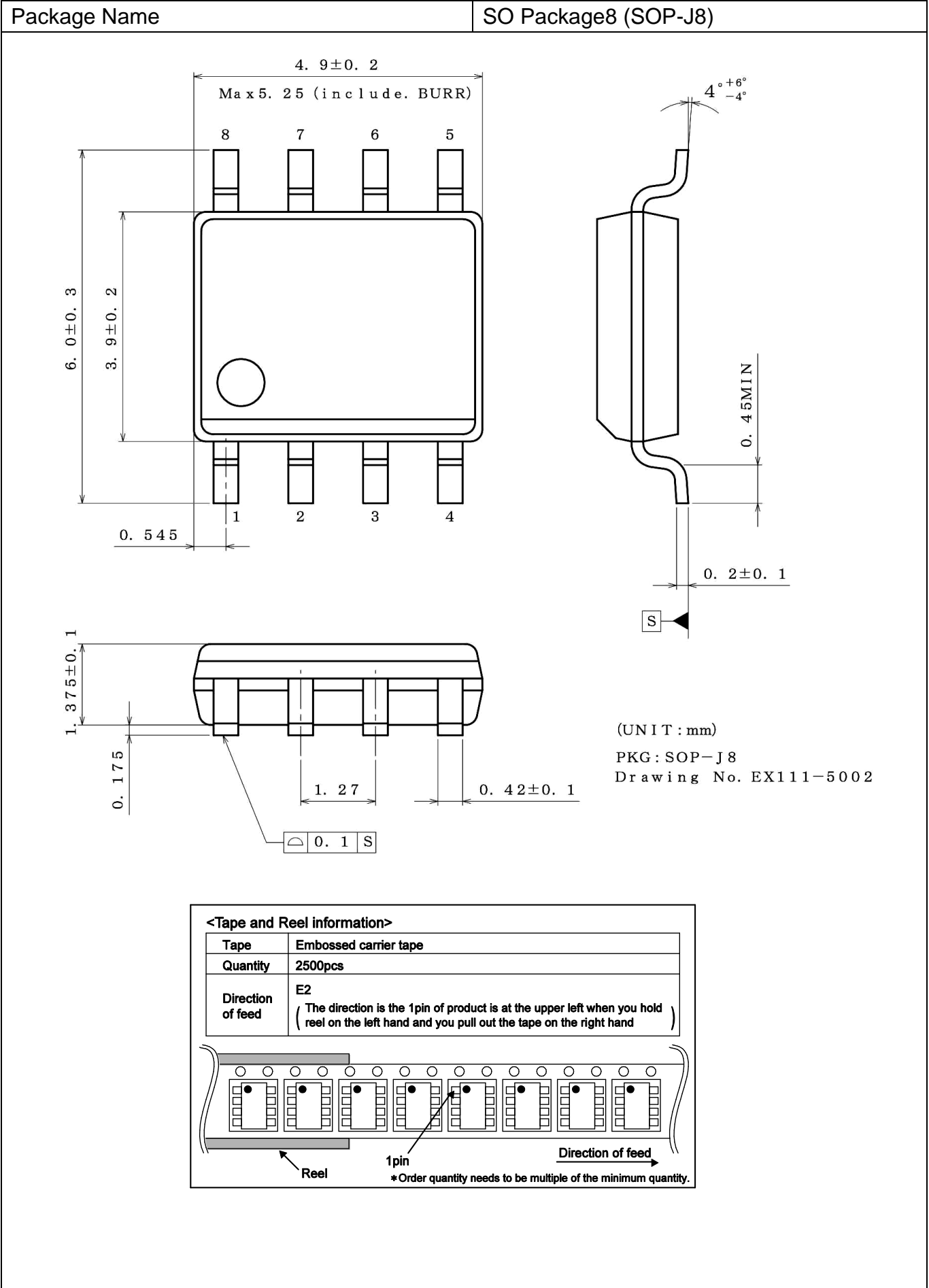
16. IC Handling

Applying mechanical stress to the IC by deflecting or bending the board may cause fluctuations in the electrical characteristics due to piezo resistance effects.

17. Output Capacitor

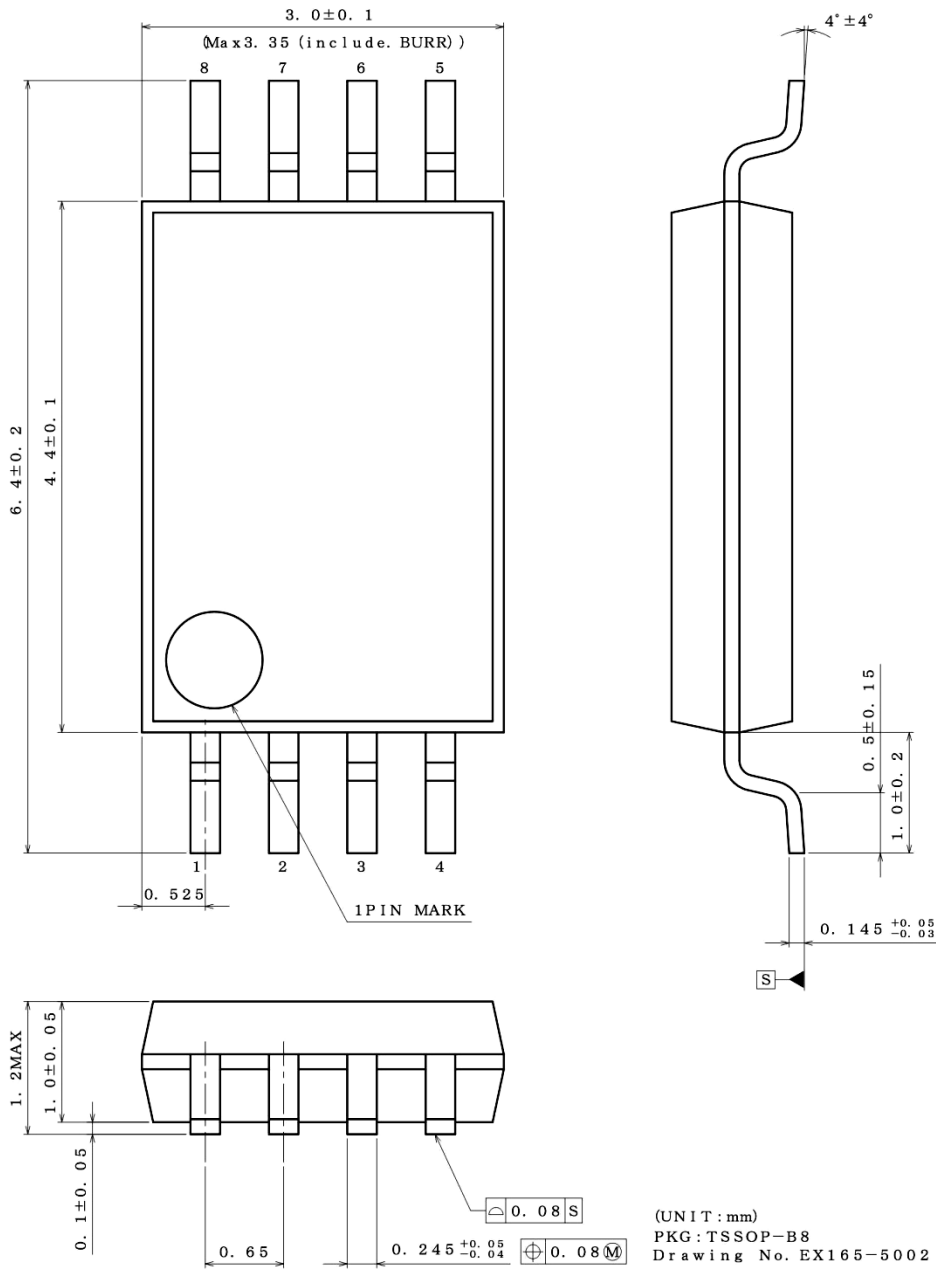
If a large capacitor is connected between the output pin and V_{cc}^- pin, current from the charged capacitor will flow into the output pin and may destroy the IC when the V_{cc}^+ pin is shorted to ground or pulled down to 0V. Use a capacitor smaller than 0.1 μF between output pin and V_{cc}^- pin.

Physical Dimensions Tape and Reel information



Physical Dimension, Tape and Reel Information – continued

Package Name	TSSOP8 (TSSOP-B8)
--------------	-------------------



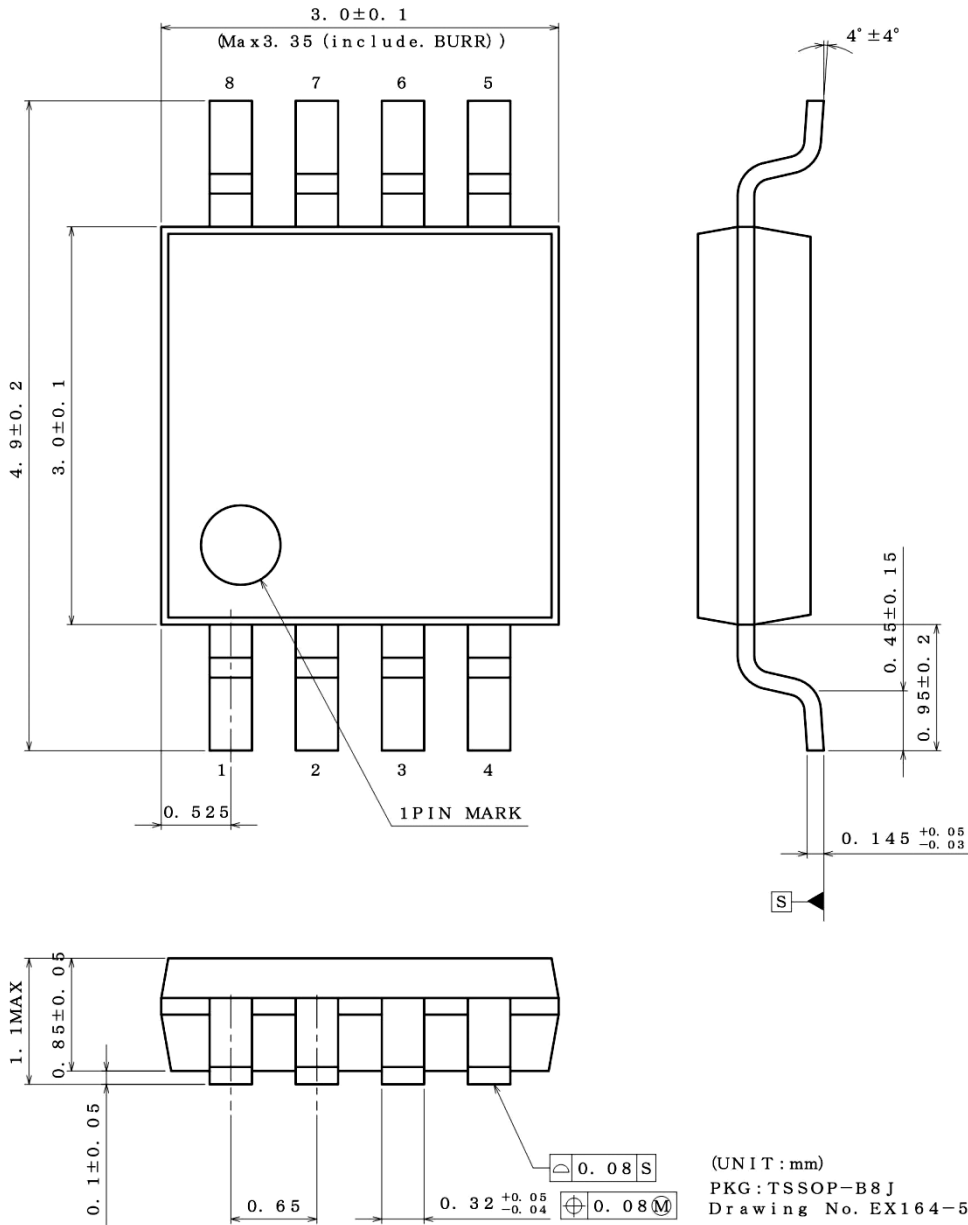
<Tape and Reel information>

Tape	Embossed carrier tape
Quantity	3000pcs
Direction of feed	E2 (The direction is the 1pin of product is at the upper left when you hold reel on the left hand and you pull out the tape on the right hand)

*Order quantity needs to be multiple of the minimum quantity.

Physical Dimension, Tape and Reel Information – continued

Package Name	Mini SO8 (TSSOP-B8J)
--------------	----------------------

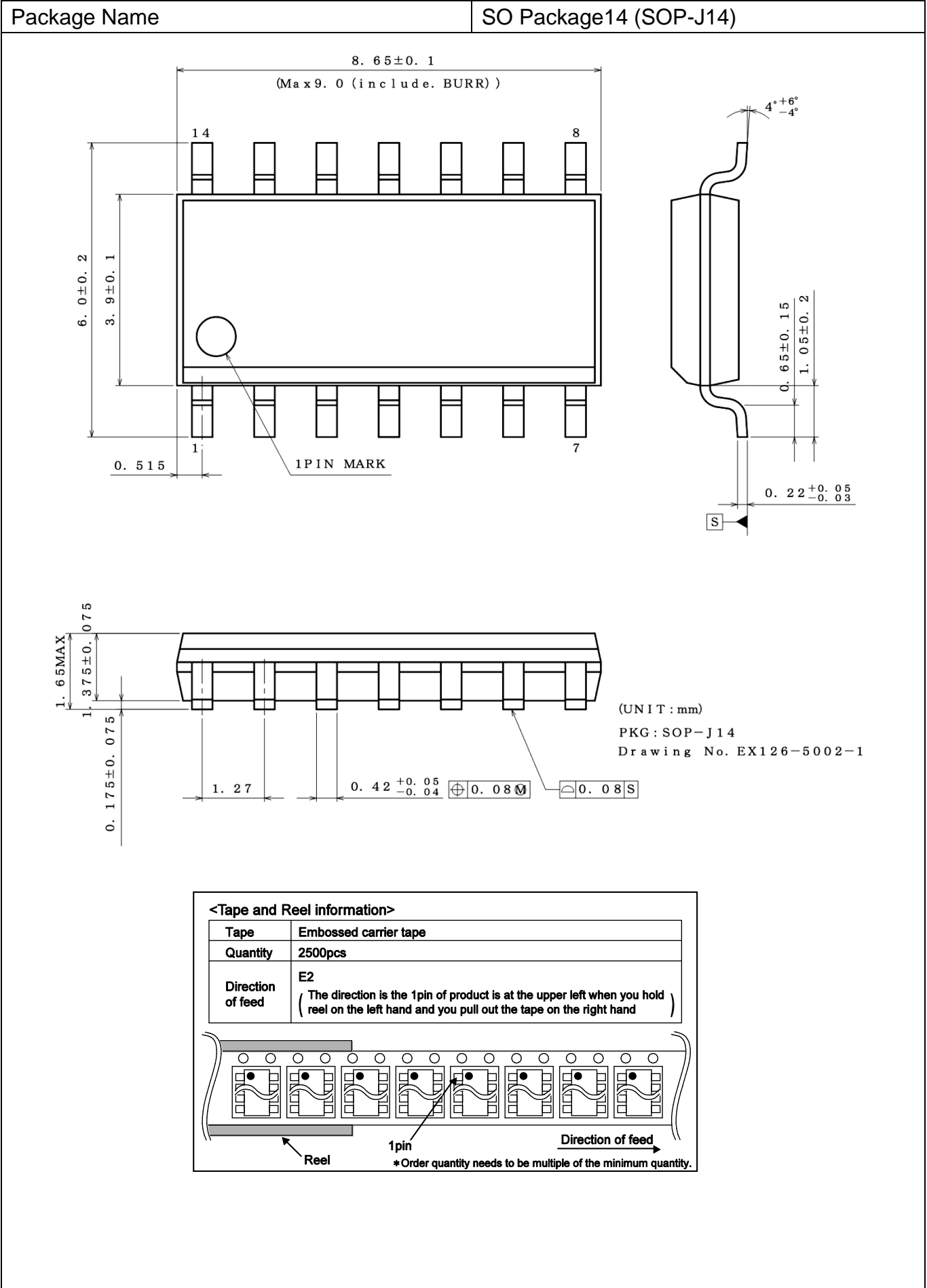


<Tape and Reel information>

Tape	Embossed carrier tape
Quantity	2500pcs
Direction of feed	E2 (The direction is the 1pin of product is at the upper left when you hold reel on the left hand and you pull out the tape on the right hand)

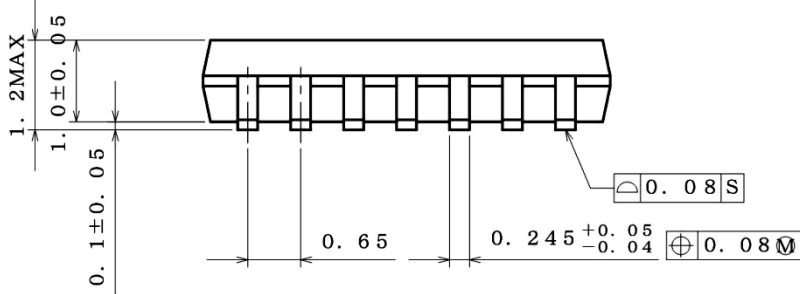
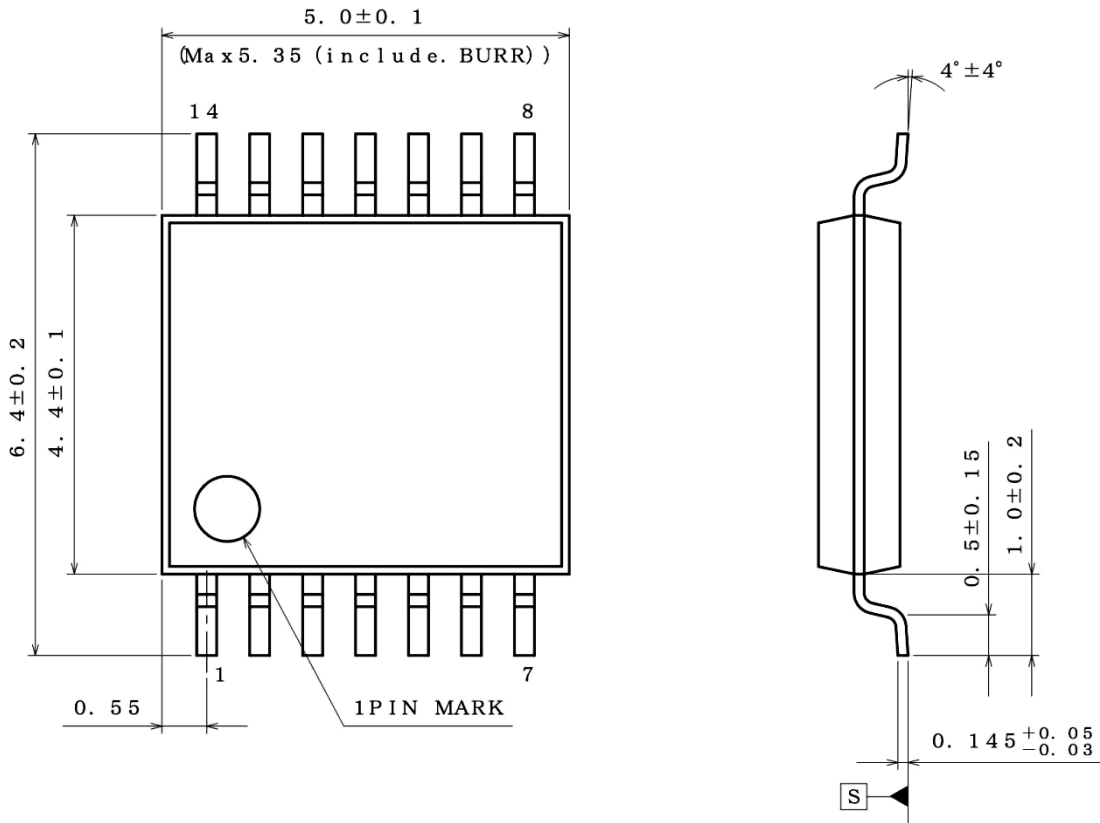
*Order quantity needs to be multiple of the minimum quantity.

Physical Dimension, Tape and Reel Information – continued



Physical Dimension, Tape and Reel Information – continued

Package Name	TSSOP14 (TSSOP-B14J)
--------------	----------------------



(UNIT : mm)
 PKG : TSSOP-B14J
 Drawing No. EX166-5002-1

<Tape and Reel information>

Tape	Embossed carrier tape
Quantity	2500pcs
Direction of feed	E2 (The direction is the 1pin of product is at the upper left when you hold reel on the left hand and you pull out the tape on the right hand)

* Order quantity needs to be multiple of the minimum quantity.

Ordering Information

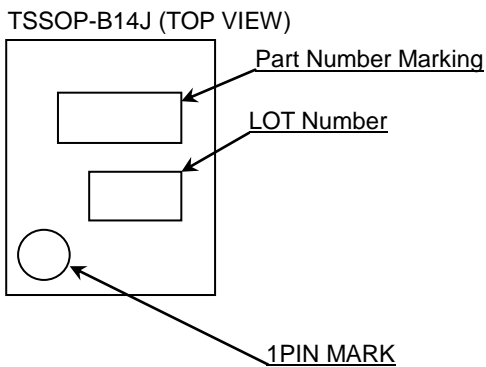
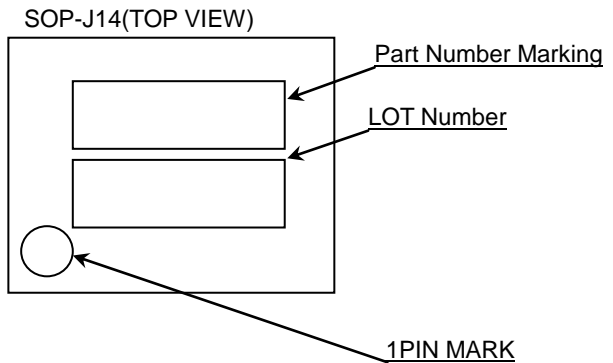
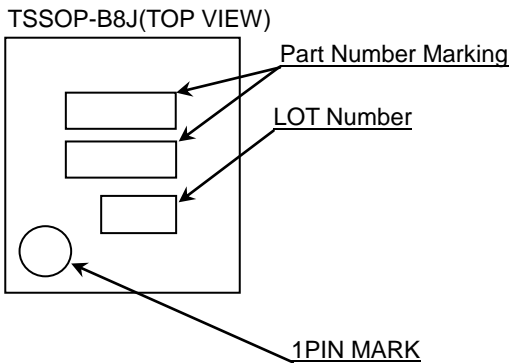
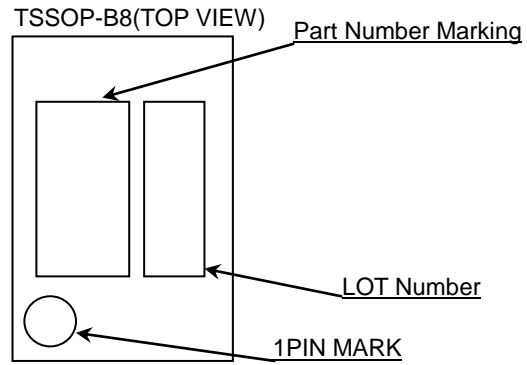
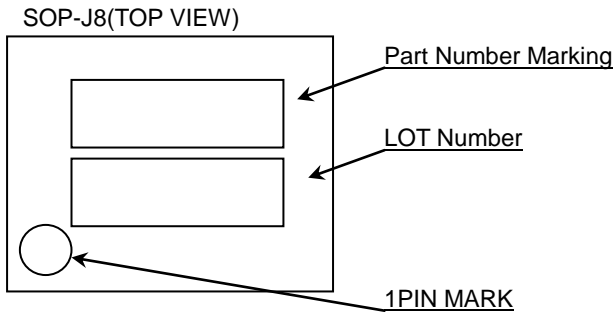
L M x x x x W x T

Part Number LM358xx LM324xx LM2902xx LM2904xx	ESD Tolerance applicable W : 2kV None : Normal	Package type D : S.O package P : SSOP S : Mini SO	Packaging and forming specification T: Embossed tape and reel
--	---	---	---

Line-up

Topr	Dual/Quad	ESD	Package	Orderable Part Number
-40°C to 85°C	Dual	Normal	SO Package8 (SOP-J8)	LM358DT
			TSSOP8 (TSSPO-B8)	LM358PT
			Mini SO8 (TSSOP-B8J)	LM358ST
	Quad	2kV	SO Package8 (SOP-J8)	LM358WDT
			TSSOP8 (TSSPO-B8)	LM358WPT
			SO Package14 (SOP-J14)	LM324DT
-40°C to +125°C	Dual	Normal	SO Package8 (SOP-J8)	LM2904DT
			TSSOP8 (TSSPO-B8)	LM2904PT
			Mini SO8 (TSSOP-B8J)	LM2904ST
	Quad	2kV	SO Package8 (SOP-J8)	LM2904WDT
			TSSOP8 (TSSPO-B8)	LM2904WPT
			SO Package14 (SOP-J14)	LM2902DT
Quad	Normal	TSSOP14 (TSSOP-B14J)	LM2902PT	
		SO Package14 (SOP-J14)	LM2902WDT	

Marking Diagram

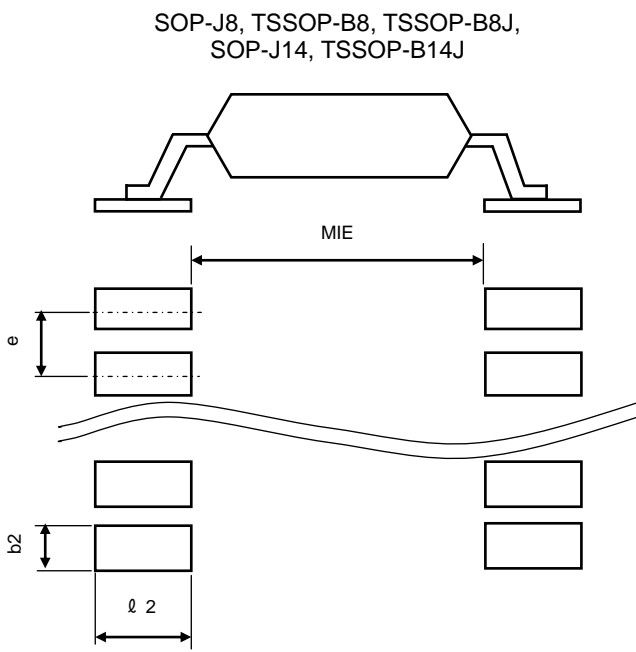


Product Name		Package Type	Marking
LM358	DT	SO Package8 (SOP-J8)	358
	PT	TSSOP8 (TSSPO-B8)	
	ST	Mini SO8 (TSSOP-B8J)	
	WDT	SO Package8 (SOP-J8)	
	WPT	TSSOP8 (TSSPO-B8)	
LM324	DT	SO Package14 (SOP-J14)	324
	PT	TSSOP14 (TSSOP-B14J)	
	WDT	SO Package14 (SOP-J14)	
LM2904	DT	SO Package8 (SOP-J8)	2904
	PT	TSSOP8 (TSSPO-B8)	
	ST	Mini SO8 (TSSOP-B8J)	
	WDT	SO Package8 (SOP-J8)	
	WPT	TSSOP8 (TSSPO-B8)	
LM2902	DT	SO Package14 (SOP-J14)	2902
	PT	TSSOP14 (TSSOP-B14J)	
	WDT	SO Package14 (SOP-J14)	

Land Pattern Data

All dimensions in mm

PKG	Land pitch e	Land space MIE	Land length ≥l 2	Land width b2
SO Package8 (SOP-J8) SO Package14 (SOP-J14)	1.27	3.90	1.35	0.76
TSSOP8 (TSSPO-B8) TSSOP14 (TSSOP-B14J)	0.65	4.60	1.20	0.35
Mini SO8 (TSSOP-B8J)	0.65	3.20	1.15	0.35



Revision History

Date	Revision	Changes
15.Jun.2015	001	New Release

Notice

Precaution on using ROHM Products

- Our Products are designed and manufactured for application in ordinary electronic equipments (such as AV equipment, OA equipment, telecommunication equipment, home electronic appliances, amusement equipment, etc.). If you intend to use our Products in devices requiring extremely high reliability (such as medical equipment ^(Note 1), transport equipment, traffic equipment, aircraft/spacecraft, nuclear power controllers, fuel controllers, car equipment including car accessories, safety devices, etc.) and whose malfunction or failure may cause loss of human life, bodily injury or serious damage to property ("Specific Applications"), please consult with the ROHM sales representative in advance. Unless otherwise agreed in writing by ROHM in advance, ROHM shall not be in any way responsible or liable for any damages, expenses or losses incurred by you or third parties arising from the use of any ROHM's Products for Specific Applications.

(Note1) Medical Equipment Classification of the Specific Applications

JAPAN	USA	EU	CHINA
CLASS III	CLASS III	CLASS II b	CLASS III
CLASS IV		CLASS III	

- ROHM designs and manufactures its Products subject to strict quality control system. However, semiconductor products can fail or malfunction at a certain rate. Please be sure to implement, at your own responsibilities, adequate safety measures including but not limited to fail-safe design against the physical injury, damage to any property, which a failure or malfunction of our Products may cause. The following are examples of safety measures:
 - Installation of protection circuits or other protective devices to improve system safety
 - Installation of redundant circuits to reduce the impact of single or multiple circuit failure
- Our Products are designed and manufactured for use under standard conditions and not under any special or extraordinary environments or conditions, as exemplified below. Accordingly, ROHM shall not be in any way responsible or liable for any damages, expenses or losses arising from the use of any ROHM's Products under any special or extraordinary environments or conditions. If you intend to use our Products under any special or extraordinary environments or conditions (as exemplified below), your independent verification and confirmation of product performance, reliability, etc. prior to use, must be necessary:
 - Use of our Products in any types of liquid, including water, oils, chemicals, and organic solvents
 - Use of our Products outdoors or in places where the Products are exposed to direct sunlight or dust
 - Use of our Products in places where the Products are exposed to sea wind or corrosive gases, including Cl₂, H₂S, NH₃, SO₂, and NO₂
 - Use of our Products in places where the Products are exposed to static electricity or electromagnetic waves
 - Use of our Products in proximity to heat-producing components, plastic cords, or other flammable items
 - Sealing or coating our Products with resin or other coating materials
 - Use of our Products without cleaning residue of flux (even if you use no-clean type fluxes, cleaning residue of flux is recommended); or Washing our Products by using water or water-soluble cleaning agents for cleaning residue after soldering
 - Use of the Products in places subject to dew condensation
- The Products are not subject to radiation-proof design.
- Please verify and confirm characteristics of the final or mounted products in using the Products.
- In particular, if a transient load (a large amount of load applied in a short period of time, such as pulse. is applied, confirmation of performance characteristics after on-board mounting is strongly recommended. Avoid applying power exceeding normal rated power; exceeding the power rating under steady-state loading condition may negatively affect product performance and reliability.
- De-rate Power Dissipation (Pd) depending on Ambient temperature (Ta). When used in sealed area, confirm the actual ambient temperature.
- Confirm that operation temperature is within the specified range described in the product specification.
- ROHM shall not be in any way responsible or liable for failure induced under deviant condition from what is defined in this document.

Precaution for Mounting / Circuit board design

- When a highly active halogenous (chlorine, bromine, etc.) flux is used, the residue of flux may negatively affect product performance and reliability.
- In principle, the reflow soldering method must be used on a surface-mount products, the flow soldering method must be used on a through hole mount products. If the flow soldering method is preferred on a surface-mount products, please consult with the ROHM representative in advance.

For details, please refer to ROHM Mounting specification

Precautions Regarding Application Examples and External Circuits

1. If change is made to the constant of an external circuit, please allow a sufficient margin considering variations of the characteristics of the Products and external components, including transient characteristics, as well as static characteristics.
2. You agree that application notes, reference designs, and associated data and information contained in this document are presented only as guidance for Products use. Therefore, in case you use such information, you are solely responsible for it and you must exercise your own independent verification and judgment in the use of such information contained in this document. ROHM shall not be in any way responsible or liable for any damages, expenses or losses incurred by you or third parties arising from the use of such information.

Precaution for Electrostatic

This Product is electrostatic sensitive product, which may be damaged due to electrostatic discharge. Please take proper caution in your manufacturing process and storage so that voltage exceeding the Products maximum rating will not be applied to Products. Please take special care under dry condition (e.g. Grounding of human body / equipment / solder iron, isolation from charged objects, setting of Ionizer, friction prevention and temperature / humidity control).

Precaution for Storage / Transportation

1. Product performance and soldered connections may deteriorate if the Products are stored in the places where:
 - [a] the Products are exposed to sea winds or corrosive gases, including Cl₂, H₂S, NH₃, SO₂, and NO₂
 - [b] the temperature or humidity exceeds those recommended by ROHM
 - [c] the Products are exposed to direct sunshine or condensation
 - [d] the Products are exposed to high Electrostatic
2. Even under ROHM recommended storage condition, solderability of products out of recommended storage time period may be degraded. It is strongly recommended to confirm solderability before using Products of which storage time is exceeding the recommended storage time period.
3. Store / transport cartons in the correct direction, which is indicated on a carton with a symbol. Otherwise bent leads may occur due to excessive stress applied when dropping of a carton.
4. Use Products within the specified time after opening a humidity barrier bag. Baking is required before using Products of which storage time is exceeding the recommended storage time period.

Precaution for Product Label

QR code printed on ROHM Products label is for ROHM's internal use only.

Precaution for Disposition

When disposing Products please dispose them properly using an authorized industry waste company.

Precaution for Foreign Exchange and Foreign Trade act

Since concerned goods might be fallen under listed items of export control prescribed by Foreign exchange and Foreign trade act, please consult with ROHM in case of export.

Precaution Regarding Intellectual Property Rights

1. All information and data including but not limited to application example contained in this document is for reference only. ROHM does not warrant that foregoing information or data will not infringe any intellectual property rights or any other rights of any third party regarding such information or data.
2. ROHM shall not have any obligations where the claims, actions or demands arising from the combination of the Products with other articles such as components, circuits, systems or external equipment (including software).
3. No license, expressly or implied, is granted hereby under any intellectual property rights or other rights of ROHM or any third parties with respect to the Products or the information contained in this document. Provided, however, that ROHM will not assert its intellectual property rights or other rights against you or your customers to the extent necessary to manufacture or sell products containing the Products, subject to the terms and conditions herein.

Other Precaution

1. This document may not be reprinted or reproduced, in whole or in part, without prior written consent of ROHM.
2. The Products may not be disassembled, converted, modified, reproduced or otherwise changed without prior written consent of ROHM.
3. In no event shall you use in any way whatsoever the Products and the related technical information contained in the Products or this document for any military purposes, including but not limited to, the development of mass-destruction weapons.
4. The proper names of companies or products described in this document are trademarks or registered trademarks of ROHM, its affiliated companies or third parties.

General Precaution

1. Before you use our Products, you are requested to carefully read this document and fully understand its contents. ROHM shall not be in any way responsible or liable for failure, malfunction or accident arising from the use of any ROHM's Products against warning, caution or note contained in this document.
2. All information contained in this document is current as of the issuing date and subject to change without any prior notice. Before purchasing or using ROHM's Products, please confirm the latest information with a ROHM sales representative.
3. The information contained in this document is provided on an "as is" basis and ROHM does not warrant that all information contained in this document is accurate and/or error-free. ROHM shall not be in any way responsible or liable for any damages, expenses or losses incurred by you or third parties resulting from inaccuracy or errors of or concerning such information.