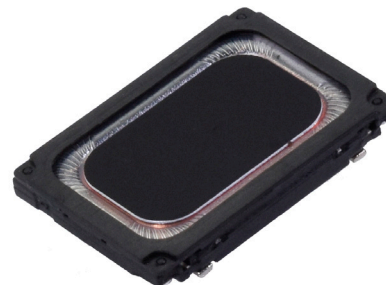


MODEL: CMS-18132-18SP | **DESCRIPTION:** SPEAKER**FEATURES**

- 8 ohm rated impedance
- 1 W rated power
- 500 Hz resonance frequency

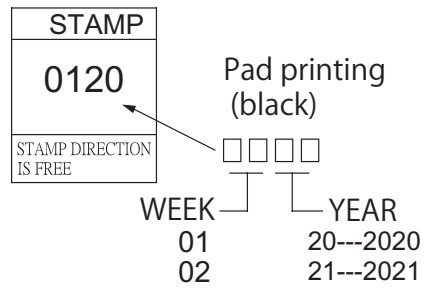
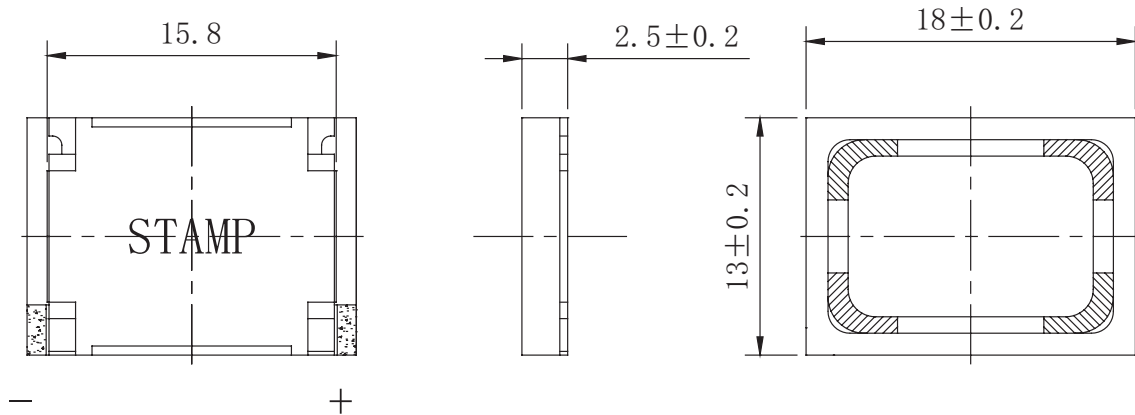
**SPECIFICATIONS**

parameter	conditions/description	min	typ	max	units
input power	max power: IEC-60268-5, filter 60 seconds on, 120 seconds off, 10 cycles (room temp), in 1 cc box		1.0	1.2	W
impedance		6.8	8	9.2	Ω
resonant frequency (Fo)	at 1.0 V	400	500	600	Hz
	at 1.0 V in 1 cc closed box	720	900	1,080	Hz
frequency response		Fo		10,000	Hz
sound pressure level	at 1.0 W, 10 cm, avg at 2.0 kHz in 1 cc closed box	92	95	98	dB
distortion	at 1.0 kHz, rated power			10	%
buzz, rattle, etc.	must be normal at sine wave, frequency range			2.83	V
polarity	cone moves forward w/ positive dc current to "+" terminal				
dimensions	18.0 x 13.0 x 2.5				mm
magnet	Nd-Fe-B				
frame material	PPA				
cone material	PEEK				
terminal	solder pads				
weight			1.9		g
operating temperature		-20		60	$^{\circ}\text{C}$
storage temperature		-30		75	$^{\circ}\text{C}$
hand soldering	for maximum 3 seconds	370	380	390	$^{\circ}\text{C}$
RoHS	yes				

Notes: 1. All specifications measured at 5~35 $^{\circ}\text{C}$, humidity at 45~85%, under 86~106 kPa pressure, unless otherwise noted.

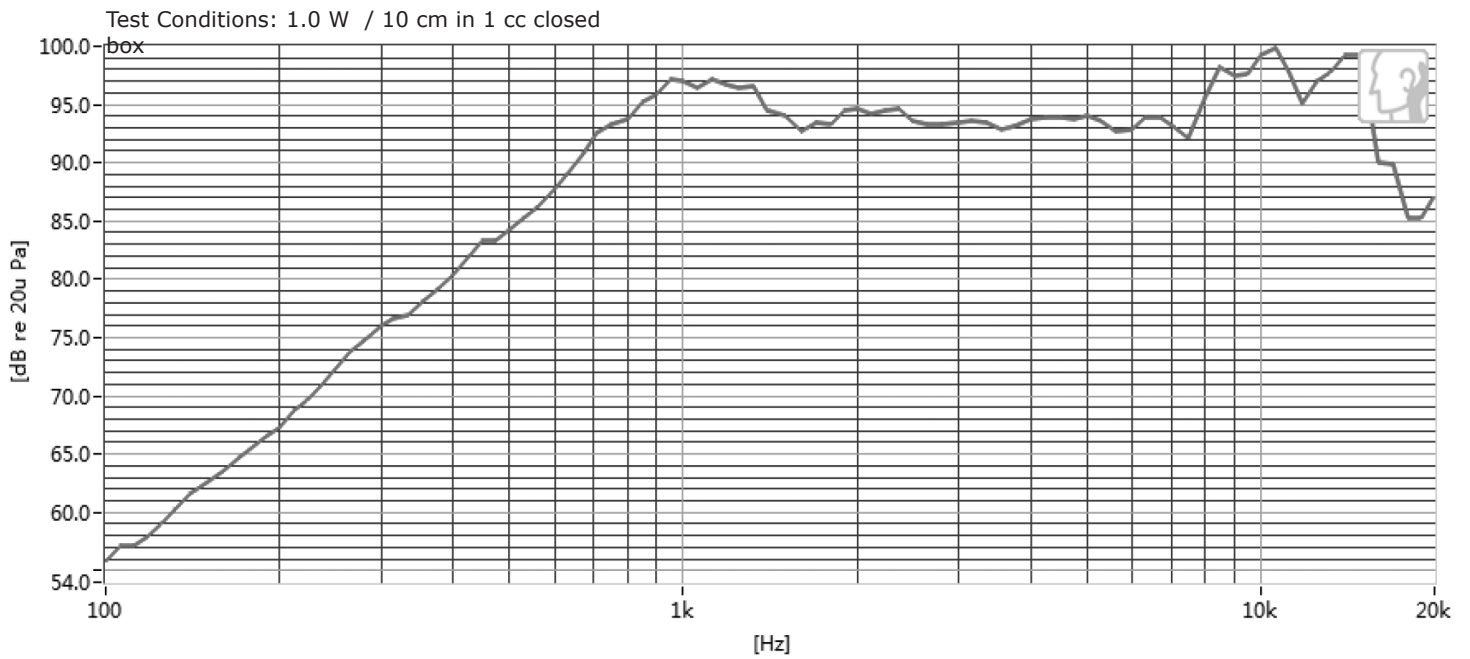
MECHANICAL DRAWING

units: mm
tolerance: ± 0.2 mm

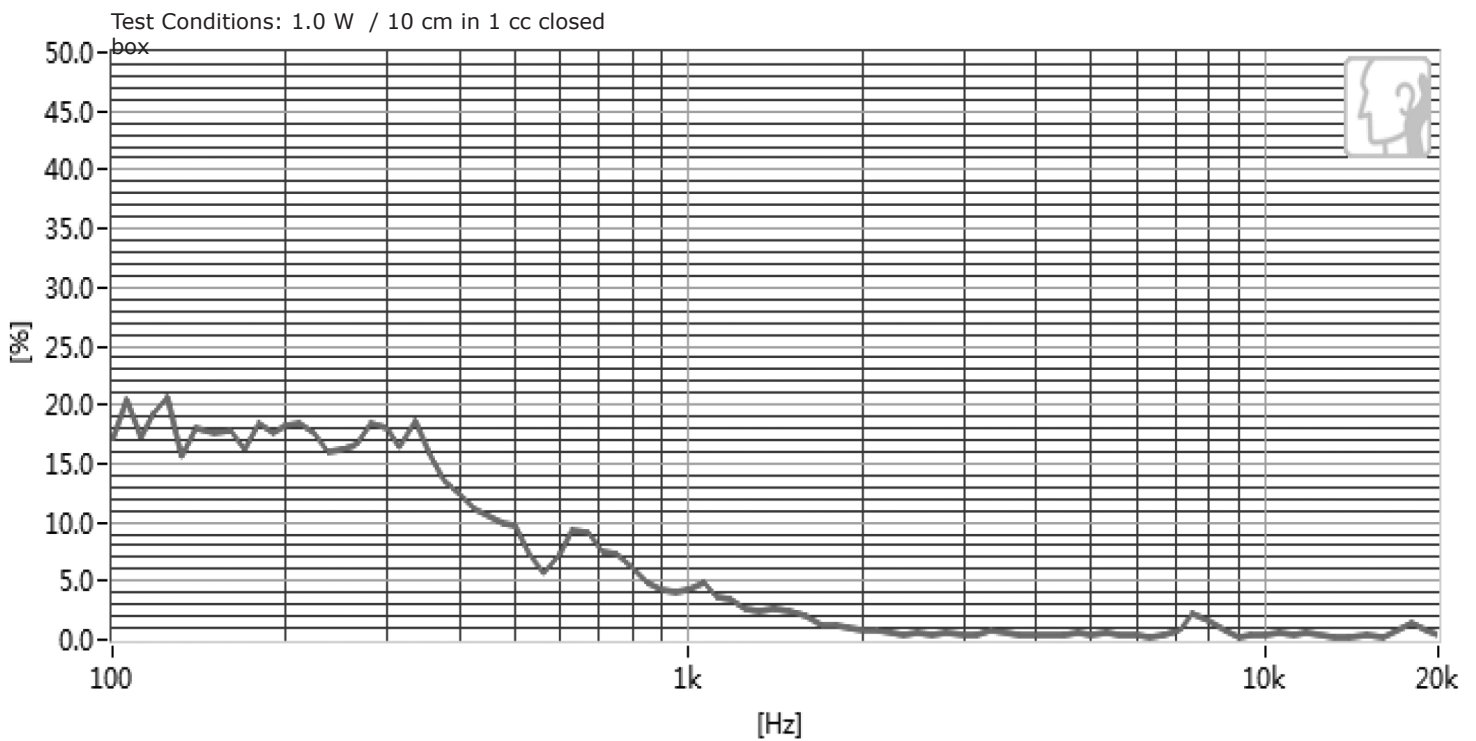


RESPONSE CURVES

Frequency Response Curve



Total Harmonic Distortion Curve



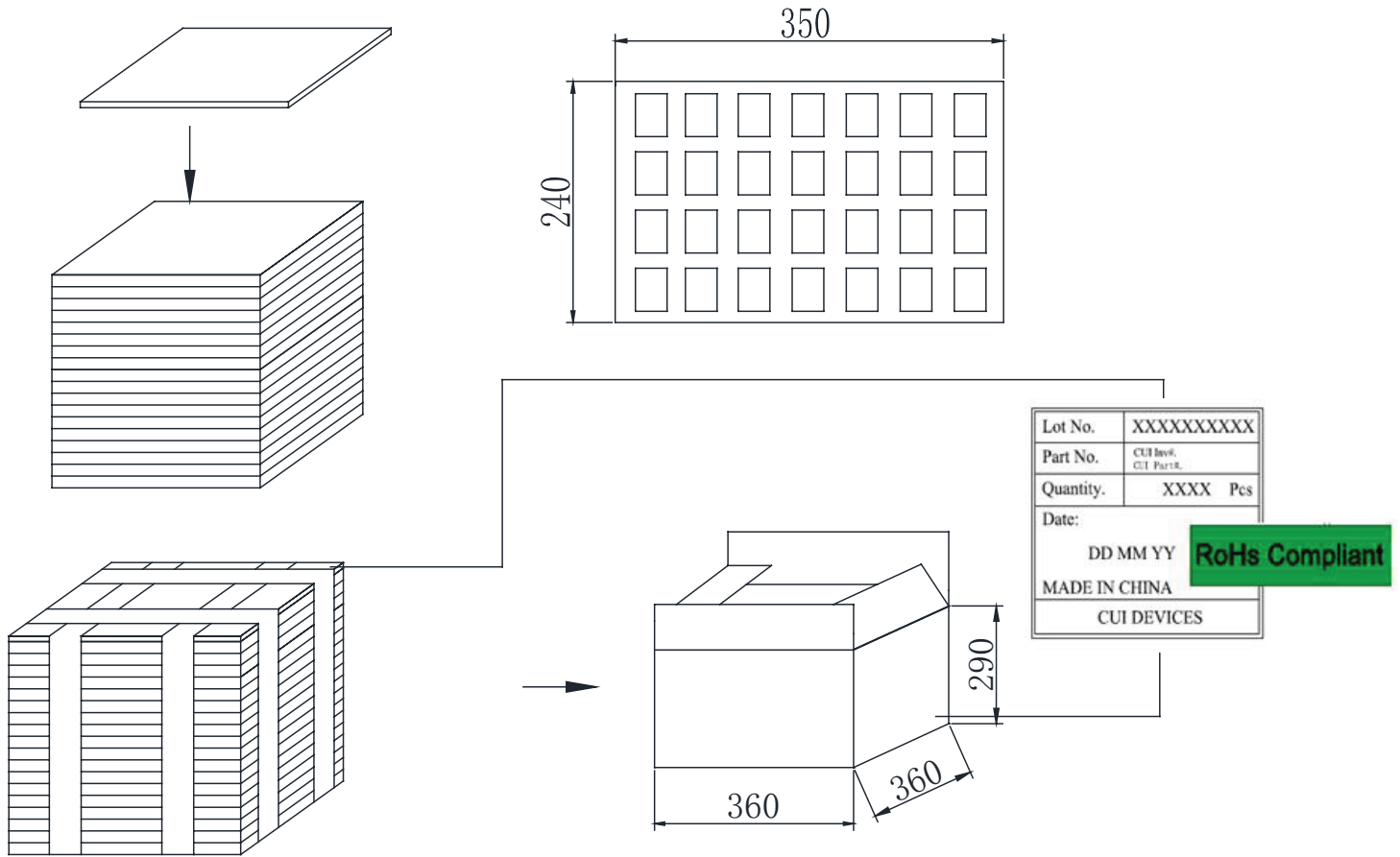
PACKAGING

units: mm

Tray Size: 350 x 240 x 16 mm
 Tray QTY: 28 pcs per tray
 Carton Size: 360 x 360 x 290 mm
 Carton QTY: 504 pcs per carton

28PCSx18-4=500PCS

TRAY 28PCS



REVISION HISTORY

rev.	description	date
1.0	initial release	06/08/2020

The revision history provided is for informational purposes only and is believed to be accurate.

CUI DEVICES

CUI Devices offers a one (1) year limited warranty. Complete warranty information is listed on our website.

CUI Devices reserves the right to make changes to the product at any time without notice. Information provided by CUI Devices is believed to be accurate and reliable. However, no responsibility is assumed by CUI Devices for its use, nor for any infringements of patents or other rights of third parties which may result from its use.

CUI Devices products are not authorized or warranted for use as critical components in equipment that requires an extremely high level of reliability. A critical component is any component of a life support device or system whose failure to perform can be reasonably expected to cause the failure of the life support device or system, or to affect its safety or effectiveness.

Mouser Electronics

Authorized Distributor

Click to View Pricing, Inventory, Delivery & Lifecycle Information:

[CUI Devices:](#)

[CMS-18132-18SP](#)